

XY Microscope Piezo Stages



2023 V1

For customized projects please Contact us:
info@simtrum.com

XY Microscope Piezo Stages - ST-XY2-7550

Our ST-XY2-7550 is a XY microscope piezo stage. It has 75x50mm stroke and repeatability up to +/-200nm, with a maximum load capacity up to 1kg.

Feature

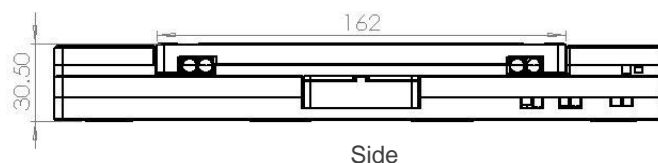
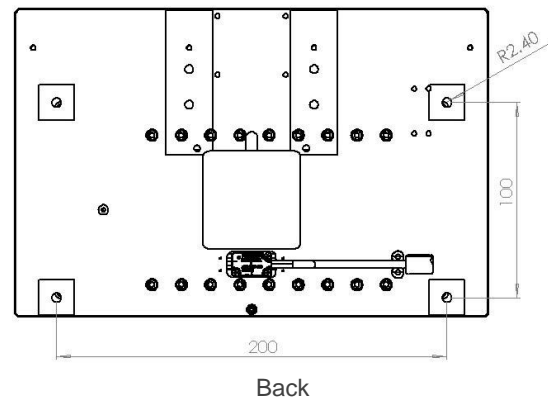
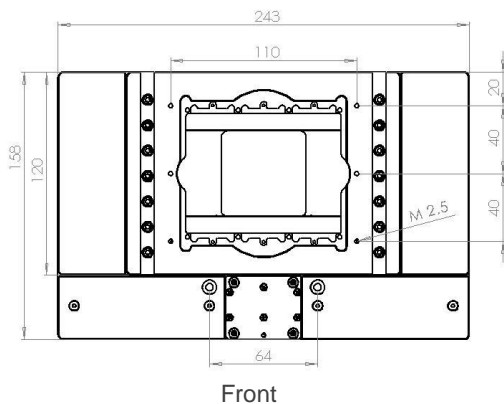
- Piezoelectric motor drive, self-locking when power off, saving energy and reducing heat generation
- Simple and compact design
- Grating feedback, optional resolution
- Can be used in optical assembly, micro-nano processing, laser, automation and other fields



Specification

Model	ST-XY2-7550
Stroke(mm)	75*50
Driver	Piezoelectric Motor
Maximum Load Capacity(KG)	1
Maximum Speed(mm/s)	100
Minimum Step Size(nm)	50
Repeatability(nm)	+/-200
Position Sensor	Grating
Material	Aluminum Alloy
Weight(KG)	2.5

Drawings



XY Microscope Piezo Stages - ST-XY3-11075

Our ST-XY3-11075 is a XY inverted microscope piezo stage. It has 110x75mm stroke and repeatability up to +/-200nm, with a maximum load capacity up to 1kg.

Feature

- Piezoelectric motor drive, self-locking when power off, saving energy and reducing heat generation
- Simple and compact design
- Grating feedback, optional resolution
- Can be used in optical assembly, micro-nano processing, laser, automation and other fields



Specification

Model	ST-XY3-11075
Stroke(mm)	110*75
Driver	Piezoelectric Motor
Maximum Load Capacity(KG)	1
Maximum Speed(mm/s)	100
Minimum Step Size(nm)	20 (50, 100nm for option)
Repeatability(nm)	+/-200
Position Sensor	Grating
Material	Aluminum Alloy
Weight(KG)	3.3

Drawings

