

## Rotation Piezo Stage



**2023 V1**

For customized projects please Contact us:  
[info@simtrum.com](mailto:info@simtrum.com)

## Rotation Piezo Stage - ST-RS-60C

Our ST-RS-60C is a rotation piezo stage with 1.650mm diameter. Its available strokes involve 90°, 180°, 360° (for option), and it has a maximum load capacity of 1.5kg and repeatability of +/-0.002mm.

### Feature

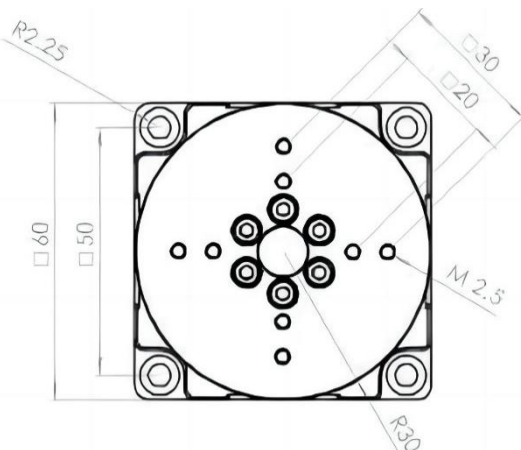
- Piezoelectric motor drive, self-locking when power off, saving energy and reducing heat generation
- Simple and compact design
- Grating feedback, optional resolution
- Can be used in optical assembly, micro-nano processing, laser, automation and other fields



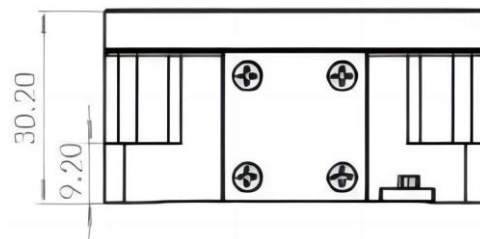
### Specification

Model	ST-RS-60C
Diameter(mm)	60
Stroke(°)	90°, 180°, 360° (For Option)
Driver	Piezoelectric Motor
Maximum Load Capacity(KG)	1.5
Maximum Speed(°/s)	30
Minimum Step Size(°)	0.001
Repeatability(°)	+/-0.002
Material	Aluminum Alloy
Weight(KG)	0.26

### Drawings



Front



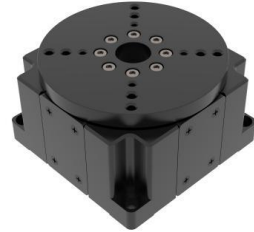
Side

## Rotation Piezo Stage - ST-RS-80C

Our ST-RS-80C is a rotation piezo stage with 80mm diameter and 360° stroke. It has a maximum load capacity of 3kg and repeatability of +/-0.002mm.

### Feature

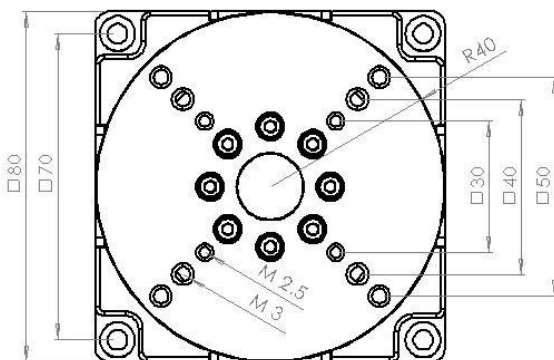
- Piezoelectric motor drive, self-locking when power off, saving energy and reducing heat generation
- Simple and compact design
- Grating feedback, optional resolution
- Can be used in optical assembly, micro-nano processing, laser, automation and other fields



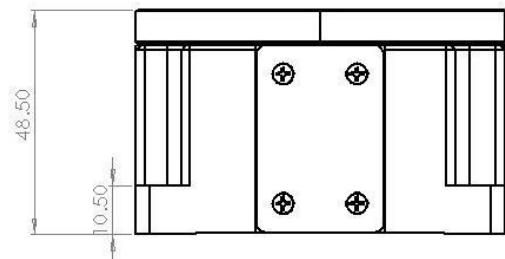
### Specification

Model	ST-RS-80C
Diameter(mm)	80
Stroke(°)	360°
Driver	Piezoelectric Motor
Maximum Load Capacity(KG)	3
Maximum Speed(°/s)	30
Minimum Step Size(°)	0.0005
Repeatability(°)	+/-0.002
Material	Aluminum Alloy
Weight(KG)	0.7

### Drawings



Front



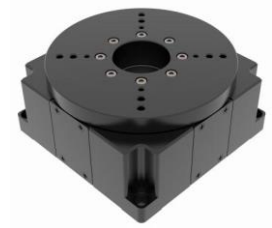
Side

## Rotation Piezo Stage - ST-RS-100C

Our ST-RS-100C is a rotation piezo stage with 100mm diameter and 360° stroke. It has a maximum load capacity of 5kg and repeatability of +/-0.002mm.

### Feature

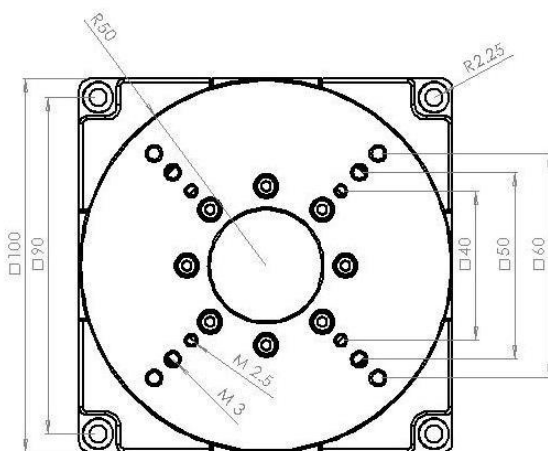
- Piezoelectric motor drive, self-locking when power off, saving energy and reducing heat generation
- Simple and compact design
- Grating feedback, optional resolution
- Can be used in optical assembly, micro-nano processing, laser, automation and other fields



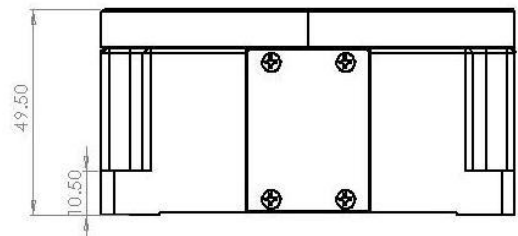
### Specification

Model	ST-RS-100C
Diameter(mm)	100
Stroke(°)	360°
Driver	Piezoelectric Motor
Maximum Load Capacity(KG)	5
Maximum Speed(°/s)	60
Minimum Step Size(°)	0.0005
Repeatability(°)	+/-0.002
Material	Aluminum Alloy
Weight(KG)	1.1

### Drawings



Front



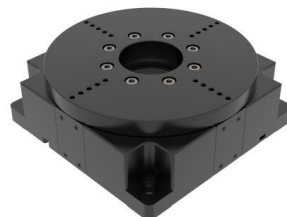
Side

## Rotation Piezo Stage - ST-RS-150C

Our ST-RS-150C is a rotation piezo stage with 150mm diameter. Its available strokes involve 90°, 180°, 360° (for option), and it has a maximum load capacity of 3kg and repeatability of +/-0.002mm.

### Feature

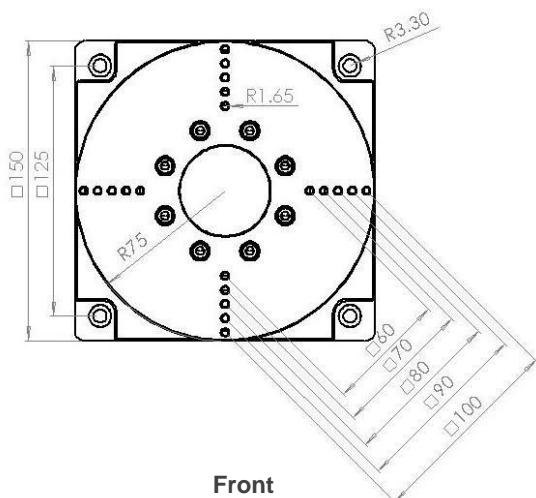
- Piezoelectric motor drive, self-locking when power off, saving energy and reducing heat generation
- Simple and compact design
- Grating feedback, optional resolution
- Can be used in optical assembly, micro-nano processing, laser, automation and other fields



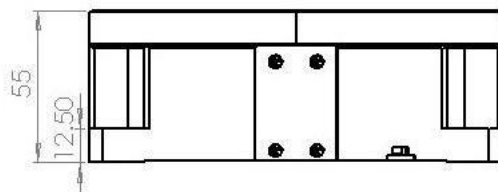
### Specification

Model	ST-RS-150C
Diameter(mm)	150
Stroke(°)	90° , 180° , 360° (For Option)
Driver	Piezoelectric Motor
Maximum Load Capacity(KG)	3
Maximum Speed(°/s)	360(Open Loop)
Minimum Step Size(°)	0.0005
Repeatability(°)	+/-0.002
Material	Aluminum Alloy
Weight(KG)	3.1

### Drawings



Front



Side