



# 1/1.8" Machine Vision FA Lens 10MP/10MP-H



**2024 V1**

For customized projects please Contact us:

[info@simtrum.com](mailto:info@simtrum.com)

## 10 Mega Pixels 1/1.8" FA/Machine Vision Lens

SIMTRUM's 10 Mega Pixels 1/1.8" FA/Machine Vision Lens features high resolution, multi-layer coating for high transmittance and effective suppression of stray light. Its compact structure and small shape make it more suitable for integrated applications, with anti-vibration and anti-impact functions.

### Feature

- Support 10 MP 1/1.8" camera
- High resolution
- Multi layer coating, high transmittance, effective suppression of stray light
- Compact structure, small shape; more suitable for integrated application
- Anti vibration and anti impact function

### Application

- Machine Vision
- Automatic Production
- Electronic Communication Field

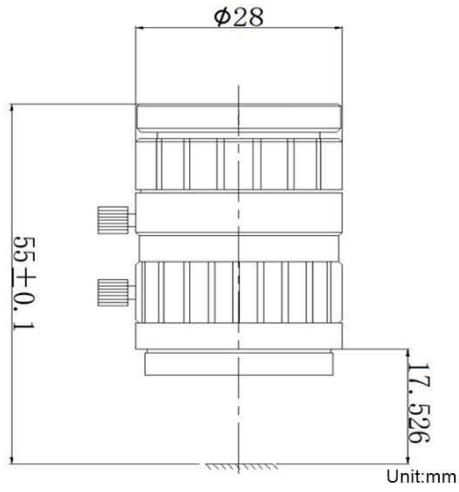


### Specification

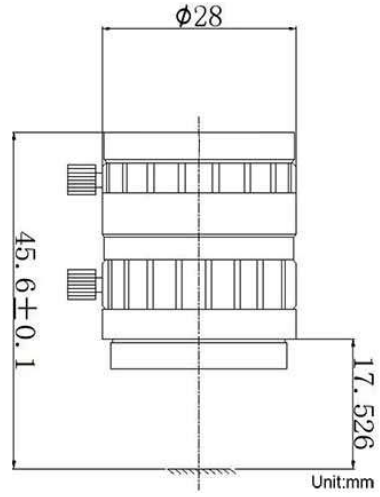
Model		STPM-16JC10M(H)	STPM-25JC10M(H)	STPM-35JC10M(H)	STPM-45JC10M
Sensor Size		1.8"(9mm)			
Focal Length		16mm	25mm	35mm	4.5mm
Interface		C-Mount			
Iris		F2.8-16			
FOV (Diagonal,Horizontal, Vertical)	1/1.8"	31.0°x27.5°x15.7°	20.4°x17.8°x10.0°	14.7°x12.6°x7.29	89.0°x81.9°x52.39
	1/2"	28.3°x24.7°x14.0°	18.1°x15.9°x8.9°	13°x11.4°x6.4°	89°x81.9°x52.3°
Back Focal Length (In Air)		13mm	12.2mm	11mm	8.4mm
Operation Mode	Focus	Manual			
	Iris	Manual			
Distortion	1/1.8"	-0.5%@y=4.5mm	-0.1%@y=4.5mm	-0.09%@y=4.5mm	-1.2%@y=4.5mm
	1/2"	-0.48%@y=4.0mm	-0.08%@y=4.0mm	-0.08%@y=4.0mm	1.08%@y=4.0mm
Focus Range		0.1m~∞	0.2m~∞	0.2m~∞	0.1m~∞
Filter Thread Diameter		M25.5xP0.5			
Working Temperature		-20°C~+60°C			

## Drawings

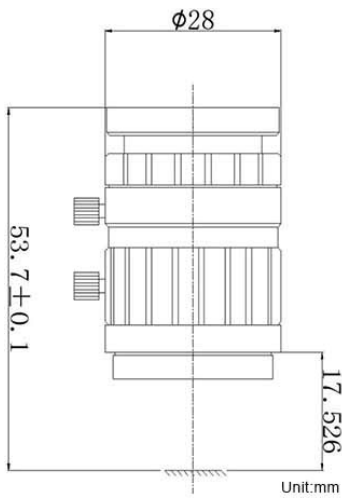
STPM-16JC10M(H)



STPM-25JC10M(H)



STPM-35JC10M(H)



STPM-45JC10M

