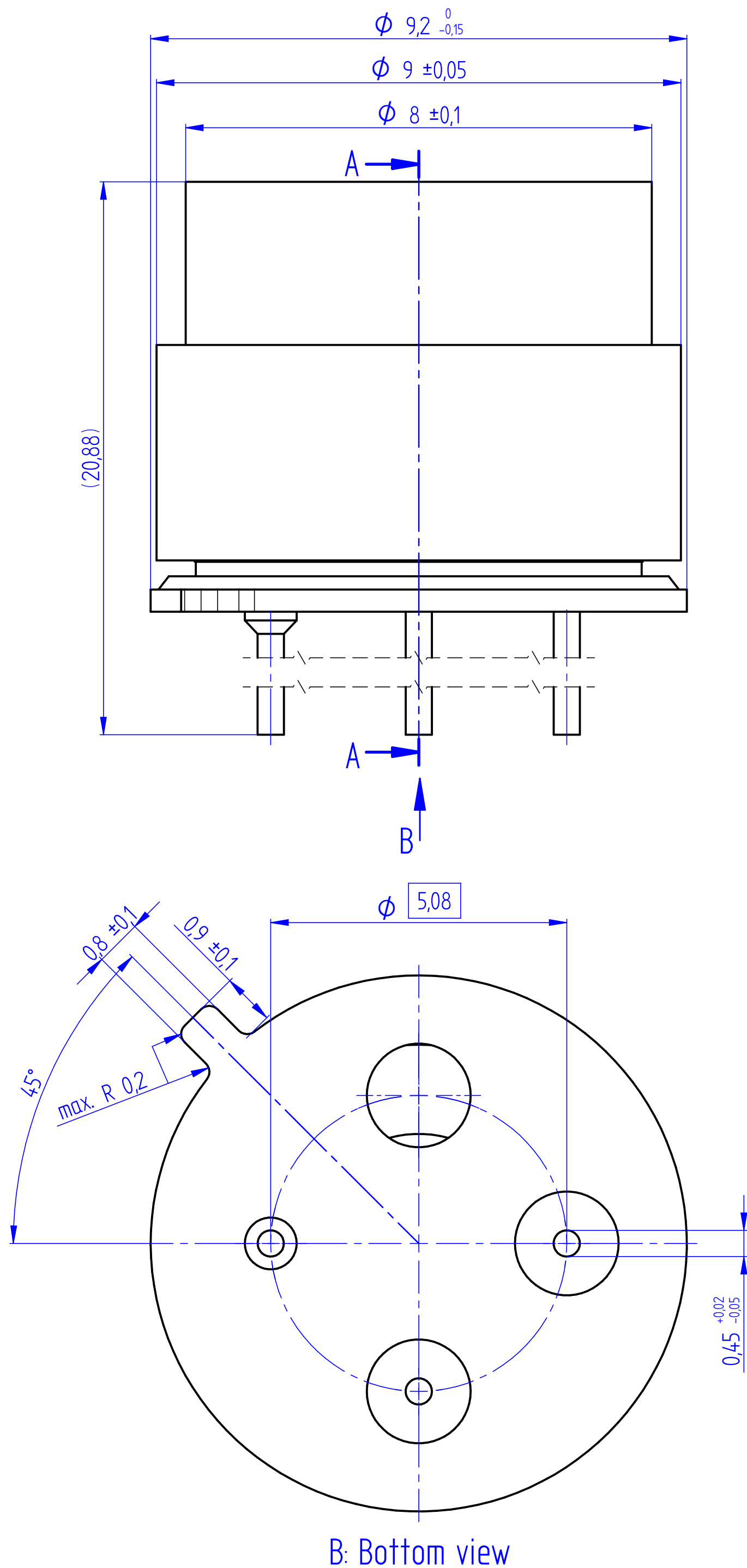


Available EMIRS200 versions with window based on REF 602.956

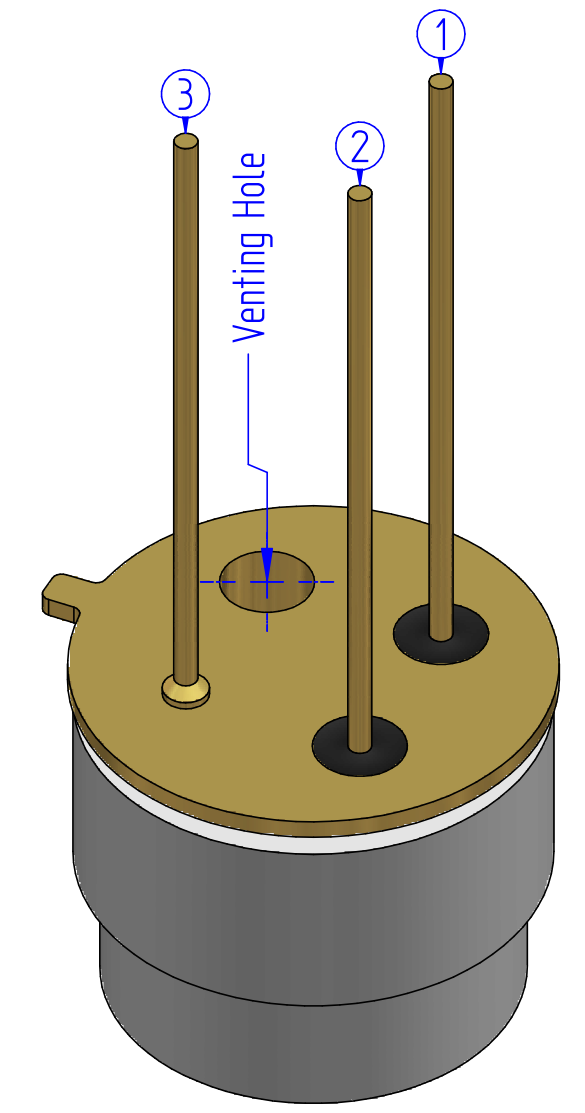
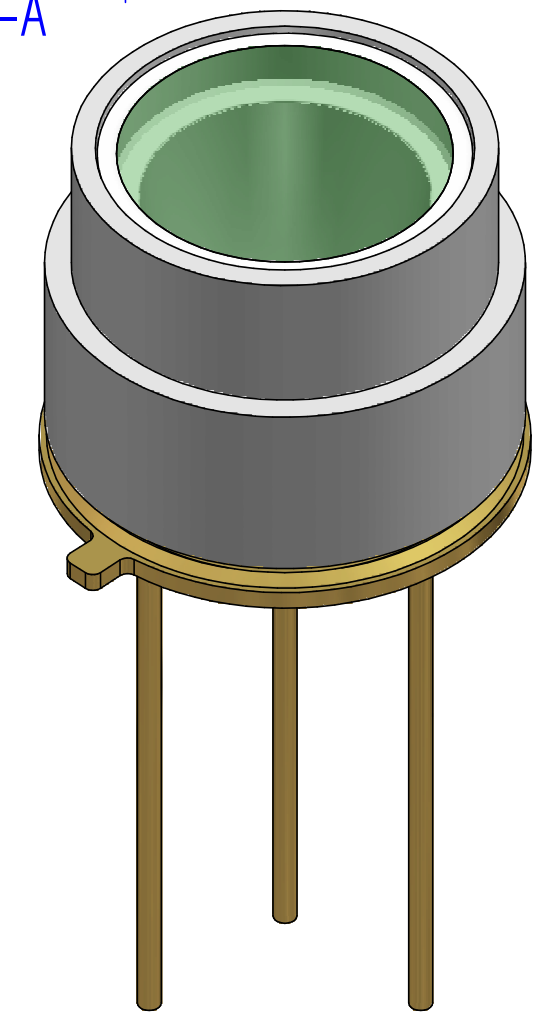
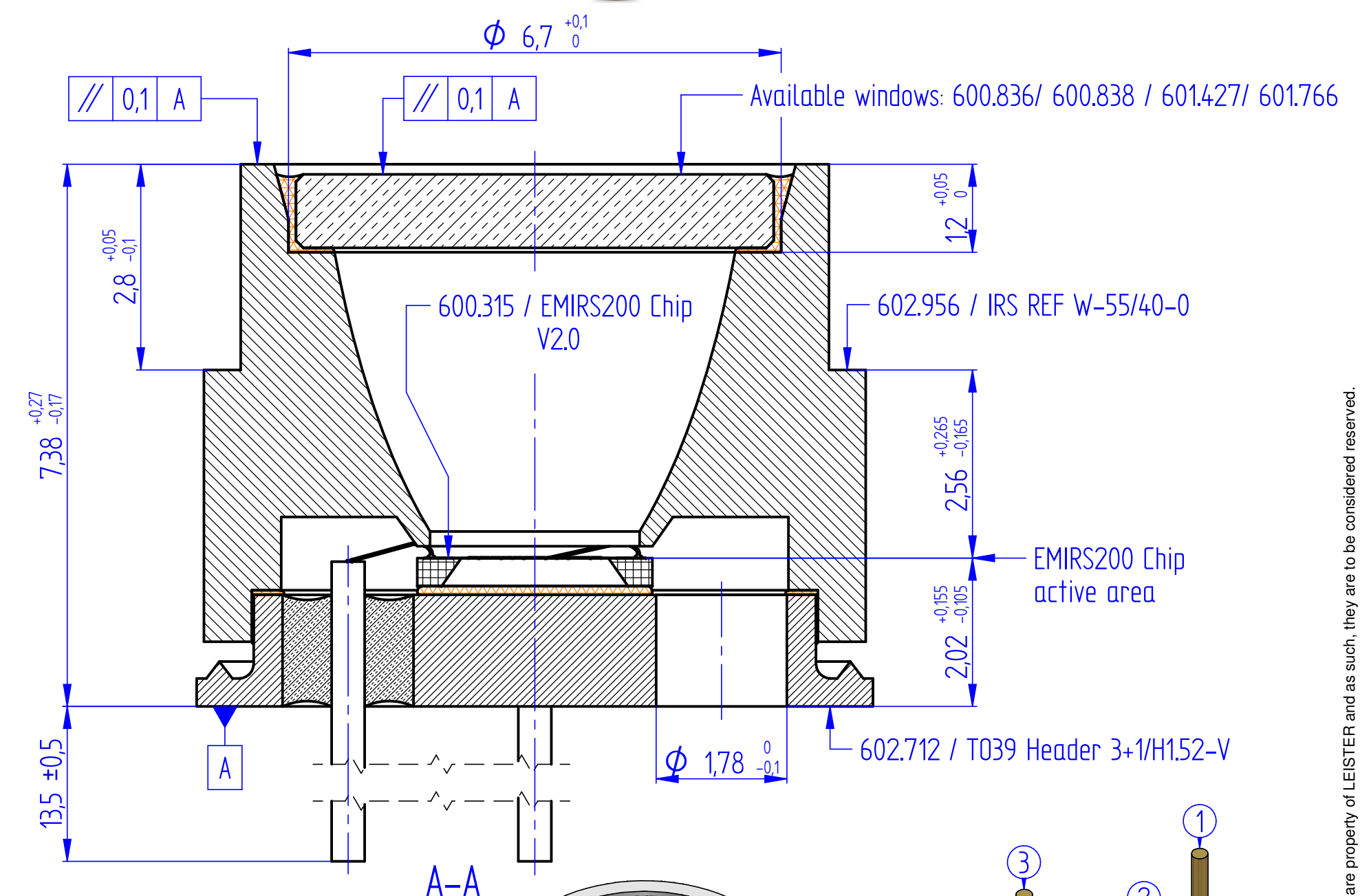


End Product With Burn-in	Description	EMIRS200_AT02V_BR060_CGe01T	EMIRS200_AT02V_BR060_CBa00T	EMIRS200_AT02V_BR060_CCa00T	EMIRS200_AT02V_BR060_CSa00T
	Part N.°	602.961	602.964	602.965	602.966
Glue	Description	DELO-ML DB133			
	Part N.°	602.462			
Window	Description	GeART90	BaF2	CaF2	Sapphire
	Part N.°	601.766	601.427	600.838	600.836
TO header	Description	TO39 Header 3+1/H1.52-V			
	Part N.°	602.712			



B: Bottom view

! Draft available only for customer



Pin	Function
1	Heating resistor Rh
2	Heating resistor Rh
3	Ground

General tolerances ISO 2768-fK

Material: Specification -				Volume:	
Date	Drawn by	EMIRS200_AT02V_BR060_Series			Sheet
25.04.2014	slu				1
Date	Checked by				of
25.06.2014	sai				1
Axetris AG Switzerland		Format	Scale	Drawing number	Revision
		A3	10:1	603.462	B

This document and the information in it contained are property of LEISTER and as such, they are to be considered reserved. Therefore, any reproduction in any form or by any means, without prior written permission of LEISTER is forbidden.