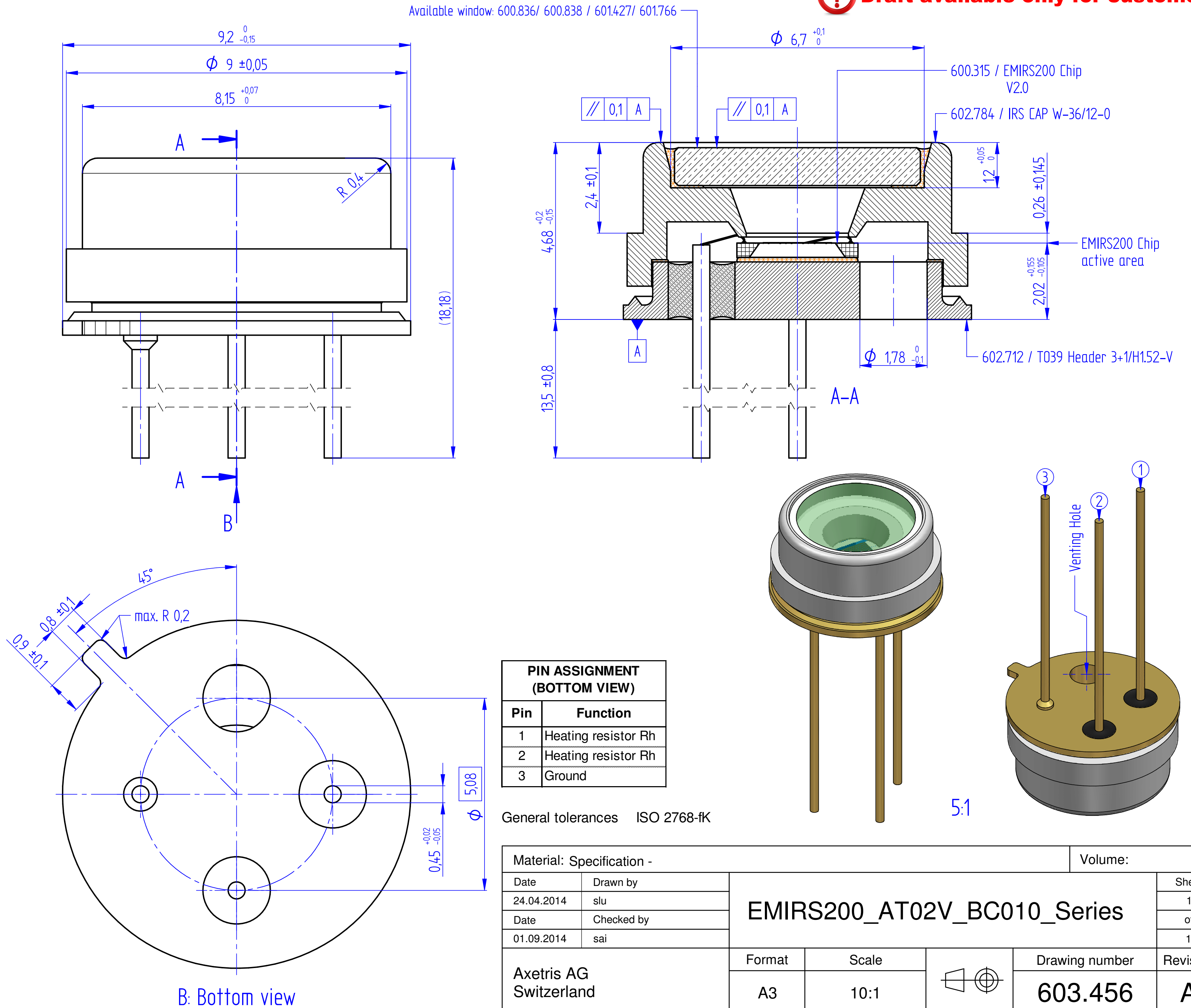


Available EMIRS200 versions with window based on REF 602.784



|                                 |             |                             |         |         |          |
|---------------------------------|-------------|-----------------------------|---------|---------|----------|
| <b>End Product With Burn-in</b> | Description | EMIRS200_AT02V_BC010_CGe01T |         |         |          |
|                                 | Part N.°    | 602.839                     | 602.903 | 602.907 | 602.909  |
|                                 | Description | EMIRS200_AT02V_BC010_CBa00T |         |         |          |
|                                 | Part N.°    | 602.839                     | 602.903 | 602.907 | 602.909  |
| <b>Glue</b>                     | Description | DELO-ML DB133               |         |         |          |
|                                 | Part N.°    | 602.462                     |         |         |          |
| <b>Window</b>                   | Description | GeART90                     | BaF2    | CaF2    | Sapphire |
|                                 | Part N.°    | 601.766                     | 601.427 | 600.838 | 600.836  |
|                                 | Description | TO39 Header 3+1/H1.52-V     |         |         |          |
|                                 | Part N.°    | 602.712                     |         |         |          |



This document and the information it contained are property of LEISTER and as such, they are to be considered reserved. Therefore, any reproduction in any form or by any means, without prior written permission of LEISTER is forbidden.