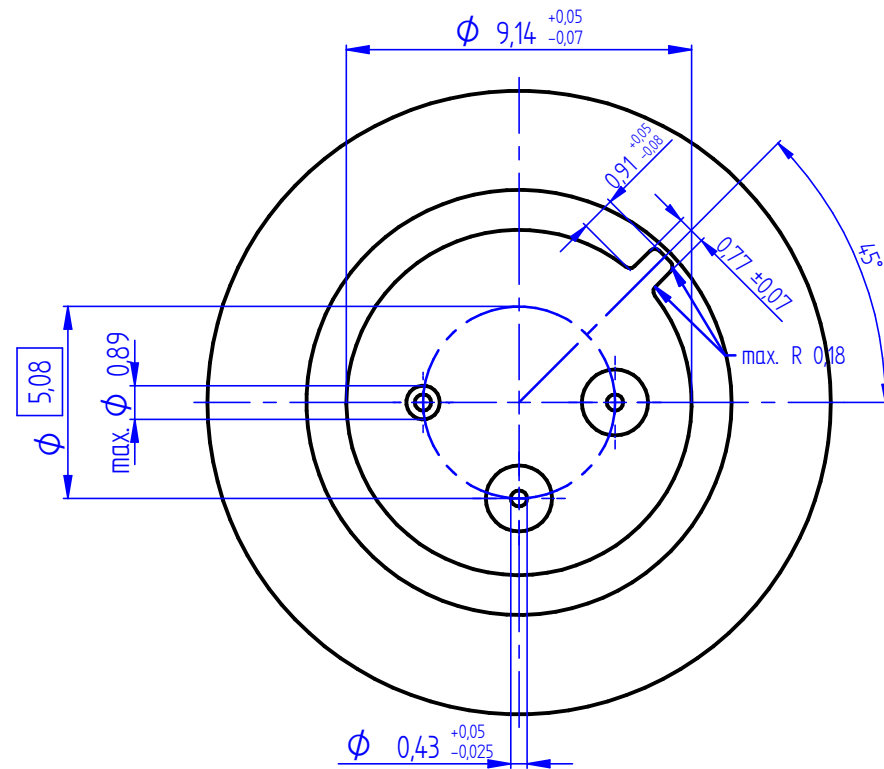
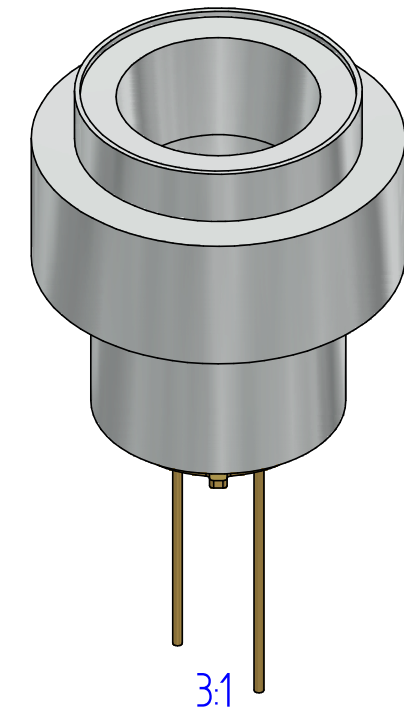
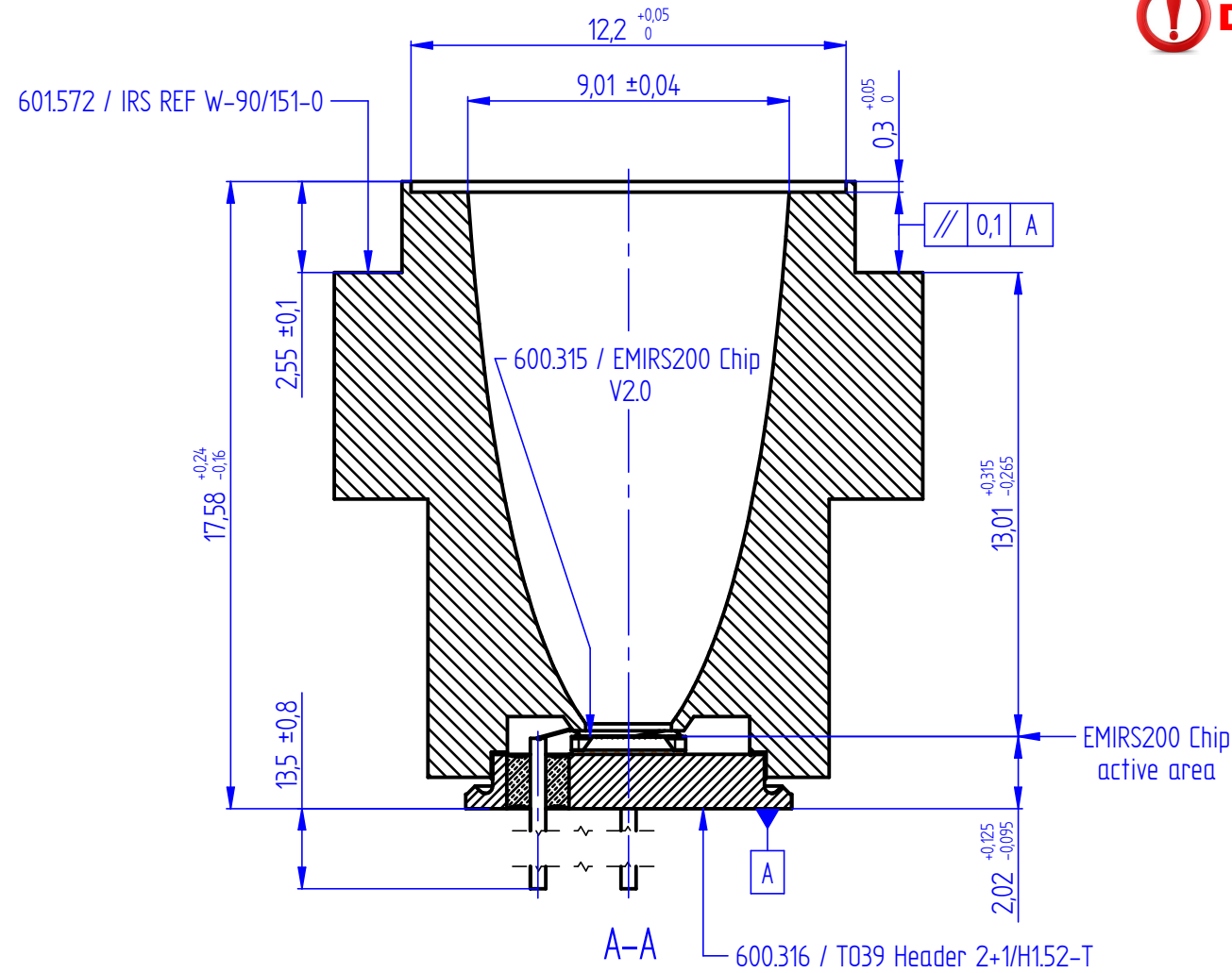
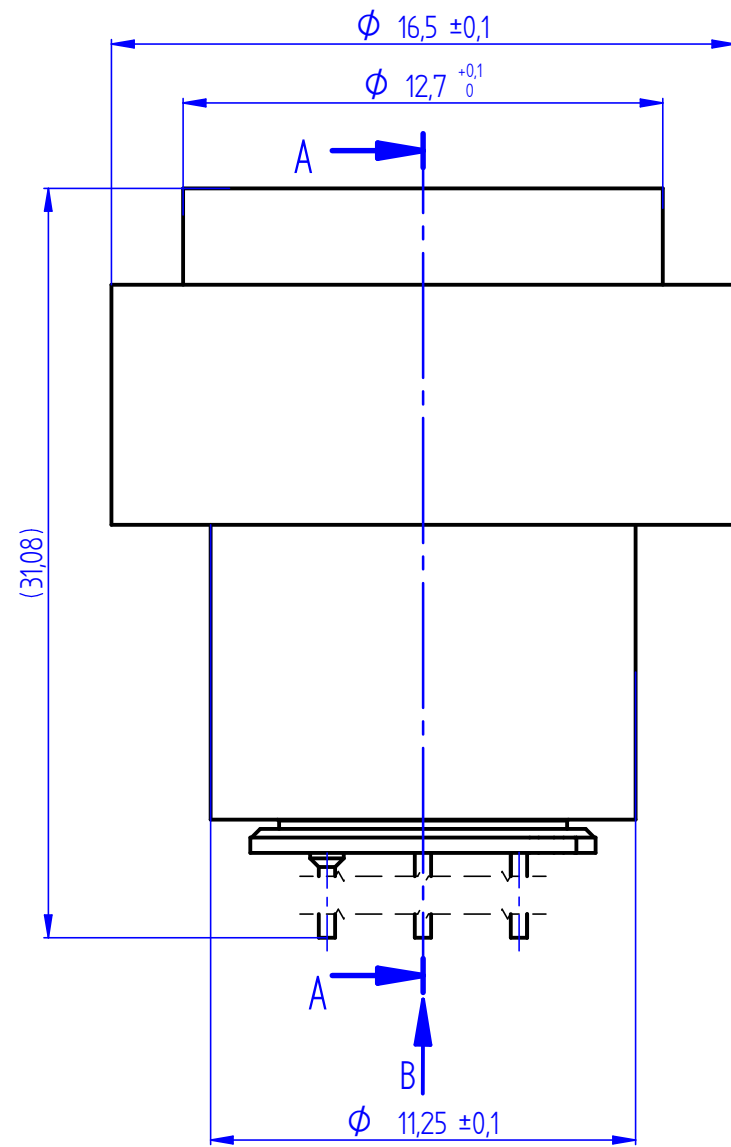


! Draft available only for customer



B: Bottom view

PIN ASSIGNMENT (BOTTOM VIEW)	
Pin	Function
1	Heating resistor Rh
2	Heating resistor Rh
3	Ground

General tolerances ISO 2768 fK

Material: Specification -				Volume:	
Date	Drawn by	EMIRS200_AT01T_BR080			Sheet
30.06.2009	awa				1
Date	Checked by				of
Leister Technologies AG Switzerland			Format	Scale	Drawing number
			A3	5:1	601.937
			Revision		D

This document and the information in it contained are property of LEISTER and as such, they are to be considered reserved. Therefore, any reproduction in any form or by any means, without prior written permission of LEISTER is forbidden.