



## 256 Line Scan Camera



**2023 V1**

For customized projects please Contact us:  
[info@simtrum.com](mailto:info@simtrum.com)

## 256 Line Scan Camera

Our 256 line scan camera series features 256 lines back illuminated CCD and  $5\mu\text{m}$  \*  $5\mu\text{m}$  pixel size. Our products have been applied to inspections of flat pane display , semiconductor, printed circuit board and other industrial inspections.

### Feature

#### STH4KCL-200KT

- Back illuminated CCD
- FFC/ROI
- High sensitivity and low noise
- Analog gain/digital gain/offset control
- Scanning direction configurable
- Support multiple camera link output modes
- Real time temperature monitoring
- Camera link interface



STH4KCL-200KT

#### STTH8KCXP-250KT

#### STTH16KCXP12-250KT

- Back illuminated CCD
- ROI/FFC
- Analog gain/digital gain)
- Realtime temperature monitoring
- High sensitivity and low noise
- Offset control(STTH16KCXP12-250KT only)
- Electronic refrigeration:  $20^{\circ}\text{C}$  below environment temperature



STTH16KCXP12-250KT

**Note: We also provide the unclooling version STH16KCXP12-250KT for STTH16KCXP12-250KT , please go to the specification area for more information.**



STTH8KCXP-250KT

### Application

#### STTH8KCXP-250KT

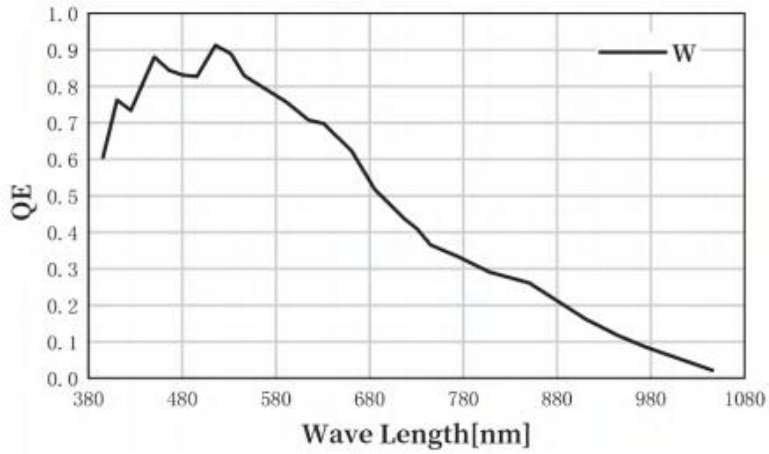
#### STTH16KCXP12-250KT

- Flat panel display inspection
- Semiconductor inspection
- Printed circuit board inspection
- Gene Sequencing
- Digital Pathology

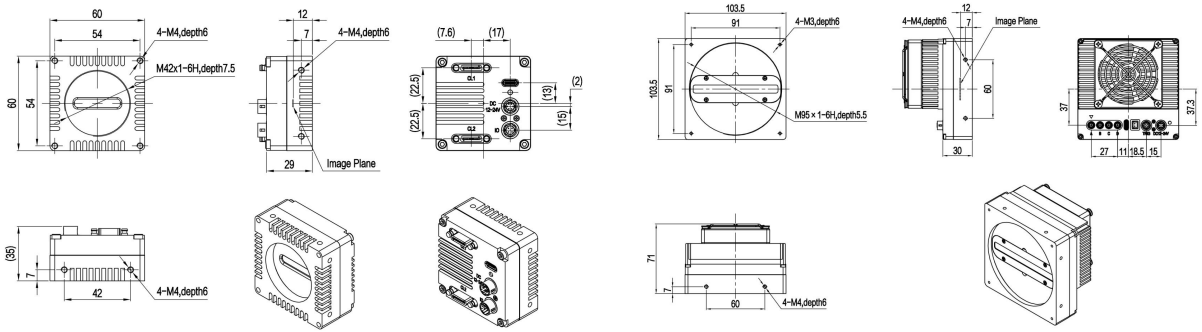
#### STH4KCL-200KT

- Flat panel display inspection
- Semiconductor inspection
- Film and web inspection
- Gene Sequencing
- Digital Pathology

## Spectral response

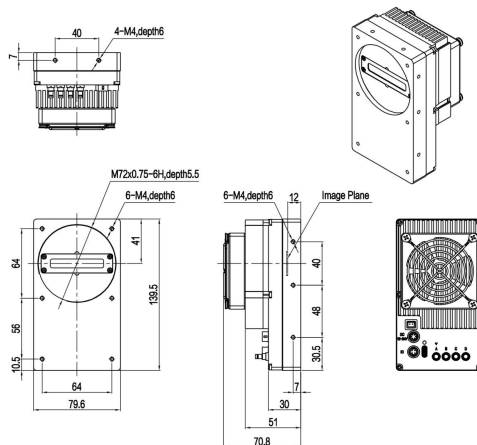


## Drawings



STH4KCL-200KT

STH16KCXP12-250KT



STH8KCXP-250KT

## Specification

Model	STH4KCL-200KT	STTH8KCXP-250KT	STTH16KCXP12-250KT	STH16KCXP12-250KT
Sensor	Back illuminated CCD			
Image Mode	Mono	Mono	Mono	Mono
Optical Size	20.48 mm	40.96 mm	81.92 mm	81.92 mm
Resolution	4096 * 256	8192* 256	16384 * 256	16384 * 256
Pixel Size	5µm *5µm	5µm *5µm	5µm * 5µm	5µm * 5µm
Max Line Rate	200 kHz	250kHz@8bit, 200kHz@10bit, 182kHz@12bit	250kHz@8bit, 200kHz@10bit, 167kHz@12bit	250kHz@8bit, 200kHz@10bit, 167kHz@12bit
Bit Depth	8/10/12 bit	8/10/12 bit	8/10/12 bit	8/10/12 bit
Dynamic Range	≥66.7 dB	≥66.7 dB	≥61.5 dB	≥61.5 dB
Data Rate	819.2 MB/s	2048 MB/s	4096 MB/s	4096 MB/s
Trigger Mode	Free run/external trigger			Free run/external trigger
Exposure Control	Controlled by line rate			
ExposureTime	5µs-1s(Step:0.01µs)	4µs-1s(Step:0.01µs)	4µs - 1s( Step: 0.01µs)	4µs - 1s( Step: 0.01µs)
Analog Gain	1/2/4x	low: 1.51-4x, high: 1-4x	low: 1.51-4x, high: 1-4x	1-4x
Digital Gain	0.004-8.000x	0.004-8.000x	0.004-8.000x	0.004-8.000x
Data Interface	Camera Link	CoaXPress	CoaXPress12	CoaXPress12
Lens Interface	M42*1	M72 * 0.75	M95 * 1	M95 * 1
Power Interface	Hirose HR10A-7R-6PB(Male)			
Power Supply	DC12-24V(±10%)2A	DC12-24V(±10%) 3.5A	DC12-24V(±10%) 2A	DC12-24V(±10%) 2A
Power Dissipation	4.6 W	11.0W(TEC Off); 27.0W(TEC On)	15.0 W	15.0 W
Cooling Mode	/	Electronic refrigeration(20℃ below,environment temperature)/ fan cooling		/
Dimensions(W*H*D)(mm)	60.0x60.0x 33.0	79.6x 139.5x70.8	99.0 x 99.0 x 71.0	99.0 x 99.0 x 71.0
Operating Temperature	0-65℃			
Storage Temperature	-20-75℃			