



Industry High Resolution Camera



2023 V1

For customized projects please Contact us:
info@simtrum.com

www.simtrum.com

Industry High Resolution Camera

This industry high resolution camera series features high resolution up to 9K. Our products have been applied to high precision machinery measurements, flat panel display inspection, semiconductor inspection, astronomical observation and other industrial inspection.

Feature

STS25MGV-10M

STS31MSGV-6M/C

- Global shutter CMOS
- High sensitivity and low noise
- ROI/Binning/LUT/automatic white balance
- Analog gain/digital gain/offset control
- Scanning direction configurable
- Temperature monitor
- Gige vision interface, support long-distance transmission
- Support Gige vision 2.0 and GenICam standard



STS25MGV-10M



STS31MSGV-6M/C

STS65MCL-12M/C

- ROI
- Global shutter CMOS
- High sensitivity and low noise
- Rich exposure control modes
- Defect pixel correction/FFC
- Analog gain/digital gain/offset Control
- Auto white balance
- Temperature monitor



STS65MCL-12M/C

Application

STS25MGV-10M

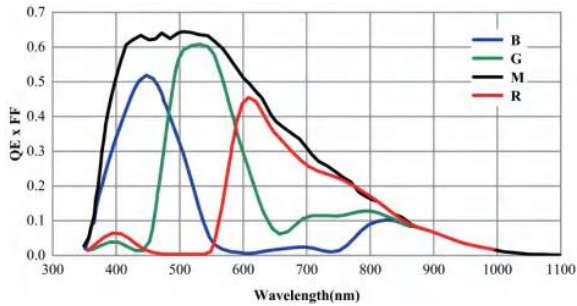
STS65MCL-12M/C

- High precision machinery measurements
- Flat panel display inspection
- Semiconductor inspection
- Electronic inspection
- Astronomical observation
- Scientific experiment

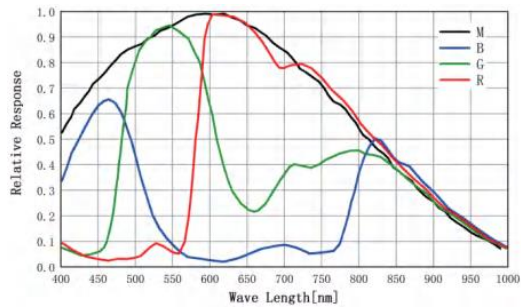
STS31MSGV-6M/C

- High precision mechanical measurement
- FPD/3C inspection
- Wafer surface inspection
- Scientific experiments
- Astronomical observation

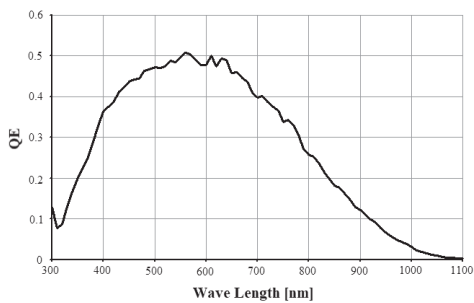
Spectral response



STS65MCL-12M/C

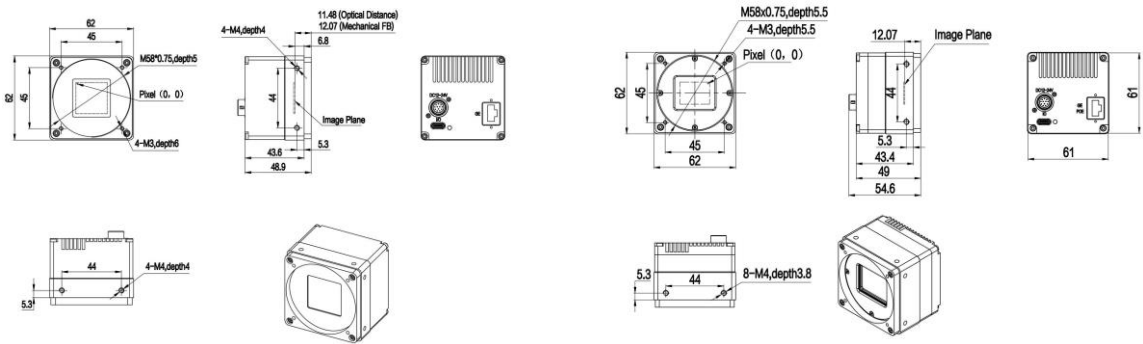


STS31MSGV-6M/C



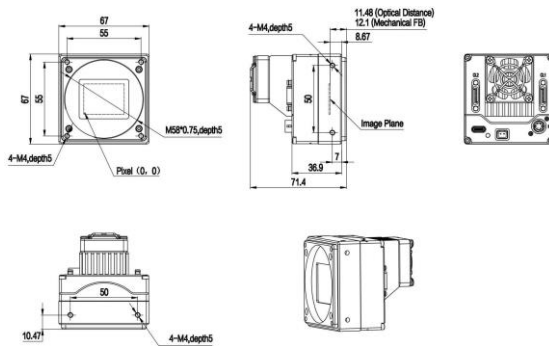
STS25MGV-10M

Drawings



STS25MGV-10M

STS31MSGV-6M/C



STS65MCL-12M/C

Specification

Model	STS25MGV-10M	STS31MSGV-6M/C	STS65MCL-12M/C
Sensor	Global shutter CMOS		
Image Mode	Mono	Color/Mono	Color/Mono
Optical Size	32.58 mm	27.88 mm	37.36 mm
Resolution	5120 * 5120	6464* 4852	9344*7000
Pixel Size	4.5μm * 4.5μm	3.45μm*3.45μm	3.2μm*3.2μm
Max Frame Rate	4.72fps(10fps with SAccel™)	4fps(10fps with SAccel™)	12.47fps@8bit, 10.16fps@10bit, 5.08fps@12bit
Date Format	8/10/10 packed	8/10/12 packed/unpacked	8/10/12 bit
Dynamic Range	≥55 dB	≥71dB	≥62 dB
Data Rate	124 MB/s	124 MB/s	850 MB/s
Trigger Mode	Free run/external trigger		
Trigger Source	/	Software trigger/external IO	Camera link CC/external IO
Exposure Control	Program/pulse width		
Exposure Time	1μs - 10s(Step:1μs)	1μs-10s(Step:1us)	14μs-10s(Step:1us)
Analog Gain	1/1.26/1.87/3.17x	0-24dB	0-12dB
Digital Gain	0.004-8.000x	0.004-8.000x	0.01-8.00x
Lens Interface	M58 / M42 / F mount	M42 / F mount	M58* 0.75
Data Interface	GigE Vision	GigE Vision	Camera Link
Power Interface	HR10A-10R-12PB(71)(Male)		Hirose HR10A-7R-6PB(Male)
Power Supply	DC12-24V(±10%)1A or PoE power supply		DC12V±10% 1.5A
Power Consumption	6.6W(DC power supply)/ 7.3W(PoE power supply)	5.5W (DC power supply)/ 6W (PoE power supply)	8.6 W
Dimensions(W*H*D)(mm)	62.0x62.0x49.0(Without adapter)	62.0x 62.0x55.1	67.0 x 67.0 x 71.4
Operating Temperature	0-50°C	0-65°C	0-65°C
Storage Temperature	-20-75°C		