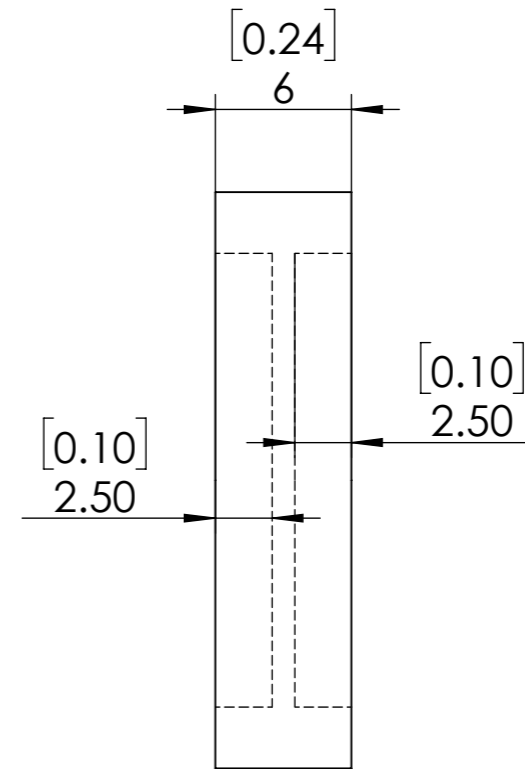
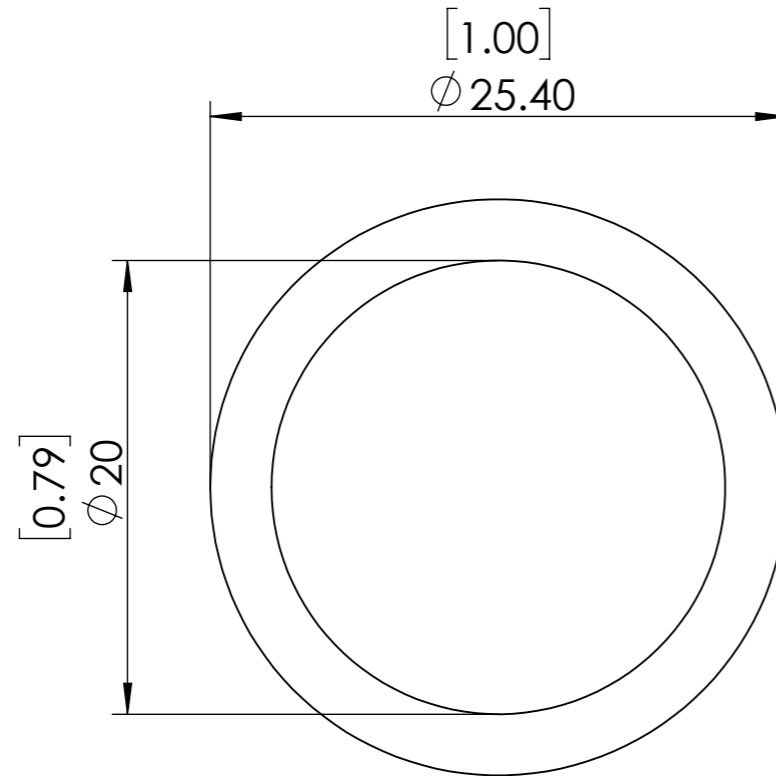
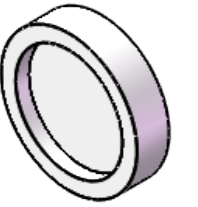


**FOR INFORMATION ONLY
NOT FOR MANUFACTURING PURPOSES**



1. UNMOUNTED DIAMETER: 20 mm
2. DESIGN WAVELENGTH: 650-1100 nm
3. RETARDATION: $\lambda/4$
4. RETARDATION TOLERANCE: $<\lambda/100$
5. WAVEFRONT DISTORTION: $<\lambda/4@633\text{nm}$
6. SURFACE QUALITY: 40/20
7. CLEAR APERTURE: 18mm
8. PARALLELISM: <10 arcsec
9. COATING: $R<1\%@650-1100\text{nm}$

| | |
|-----------------------------------|---------------------------------------|
| SIMTRUM www.simtrum.com | |
| Title: | Cemented Achromatic Quarter Waveplate |
| Material: | Quartz+MgF2 |
| Part No: | QM-CAQWP-20-650-1100-M |