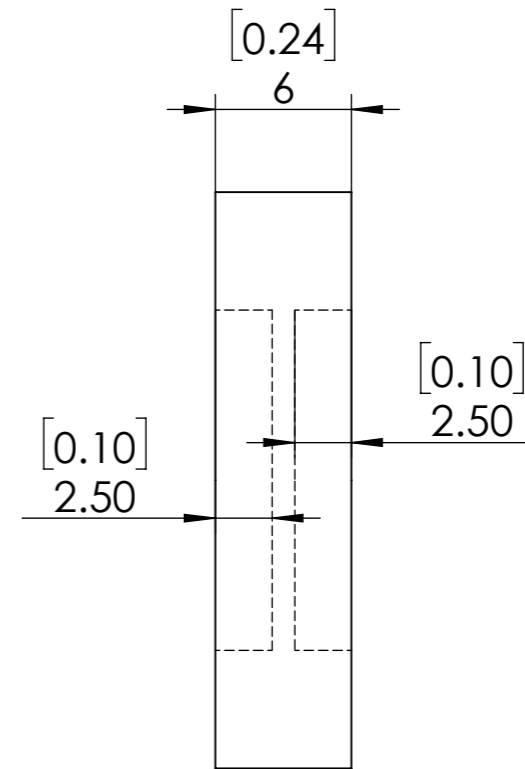
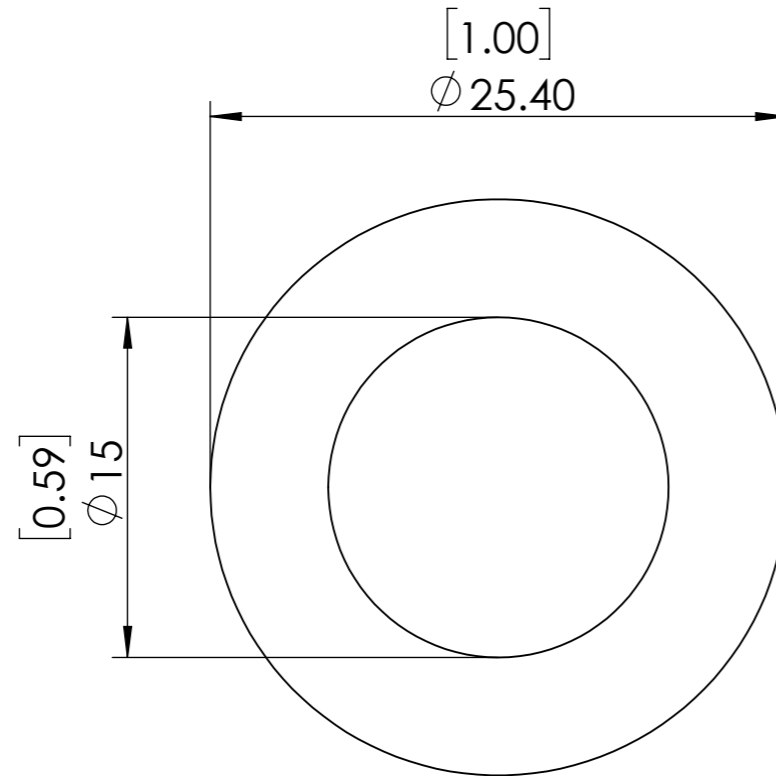
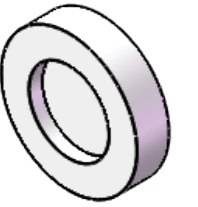


**FOR INFORMATION ONLY  
NOT FOR MANUFACTURING PURPOSES**



1. UNMOUNTED DIAMETER: 15 mm
2. DESIGN WAVELENGTH: 900-2100 nm
3. RETARDATION:  $\lambda/4$
4. RETARDATION TOLERANCE:  $<\lambda/100$
5. WAVEFRONT DISTORTION:  $<\lambda/4@633\text{nm}$
6. SURFACE QUALITY: 40/20
7. CLEAR APERTURE: 13.5mm
8. PARALLELISM:  $<10$  arcsec
9. COATING:  $R<1\%$  @900-2100nm

<b>SIMTRUM</b> www.simtrum.com	
Title:	Air Spaced Achromatic Quarter Waveplate
Material:	Quartz+MgF2
Part No:	QM-AAQWP-15-900-2100-M