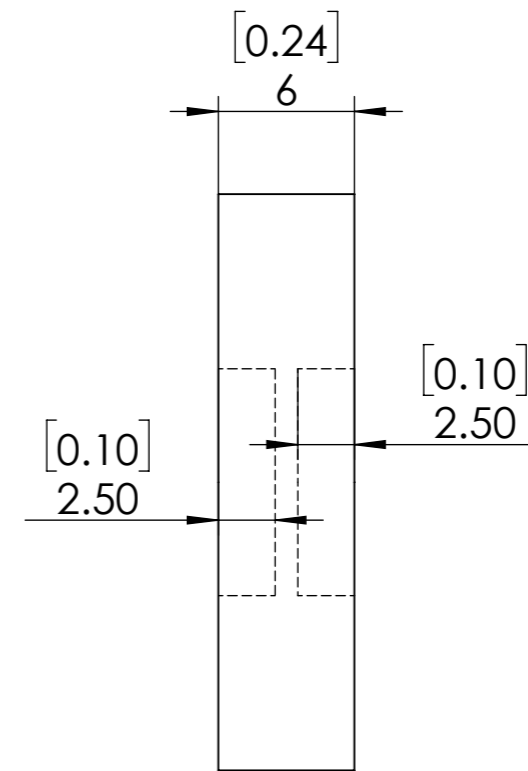
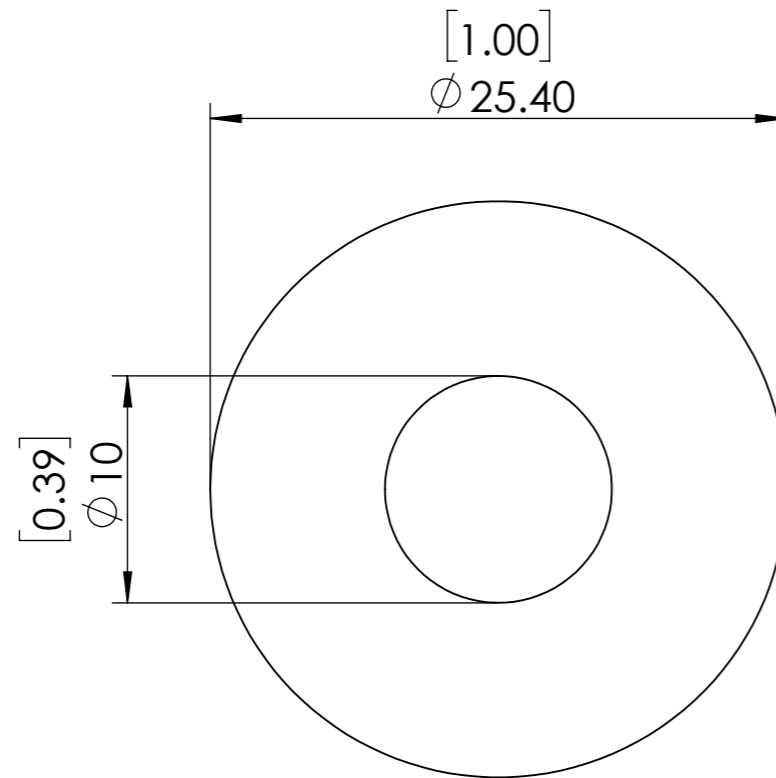
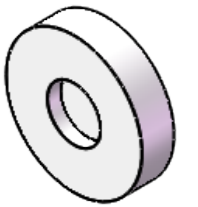


**FOR INFORMATION ONLY
NOT FOR MANUFACTURING PURPOSES**



1. UNMOUNTED DIAMETER: 10
2. DESIGN WAVELENGTH: 550-750 nm
3. RETARDATION: $\lambda/2$
4. RETARDATION TOLERANCE: $<\lambda/100$
5. WAVEFRONT DISTORTION: $<\lambda/4@633\text{nm}$
6. SURFACE QUALITY: 40/20
7. CLEAR APERTURE: 8mm
8. PARALLELISM: <10 arcsec
9. COATING: $R<1\%$ @550-750nm

| | |
|-----------------------------------|------------------------------------|
| SIMTRUM www.simtrum.com | |
| Title: | Cemented Achromatic Half Waveplate |
| Material: | Quartz+MgF2 |
| Part No: | QM-CAHWP-10-550-750-M |