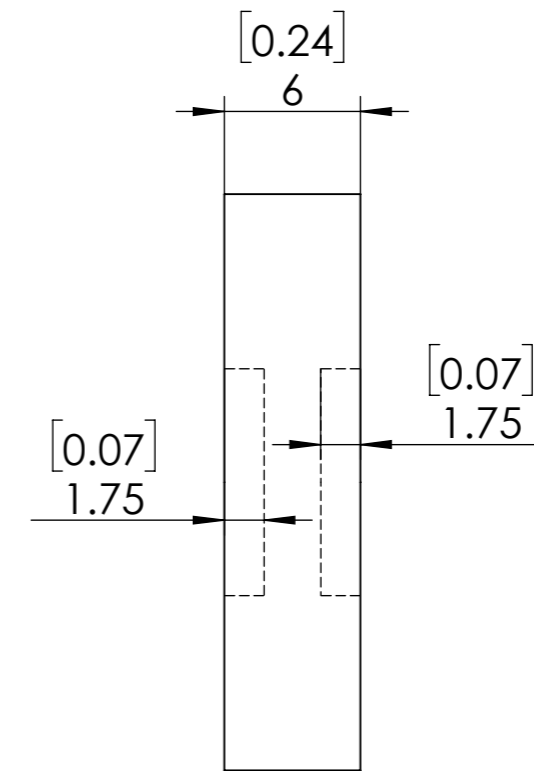
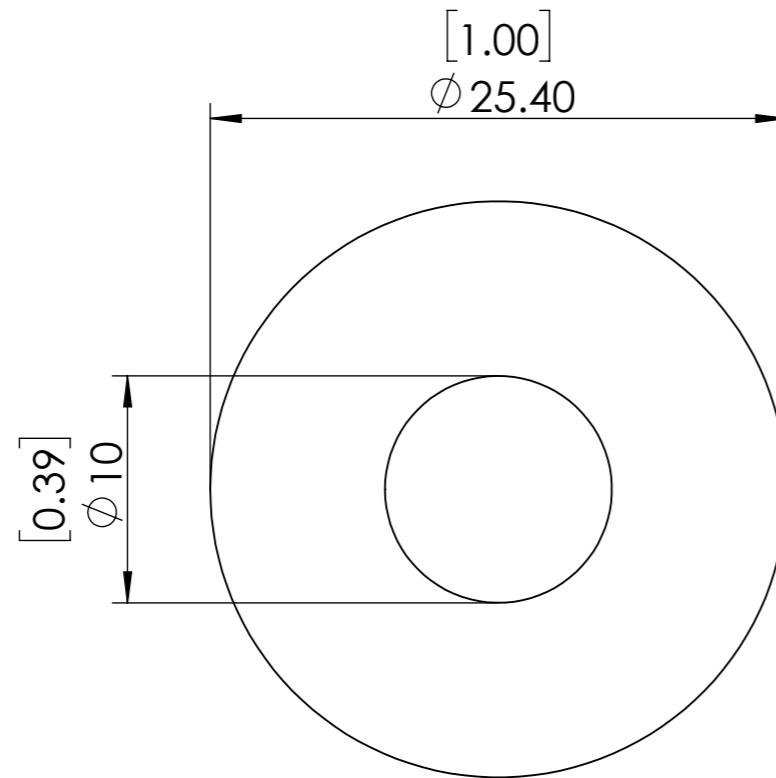
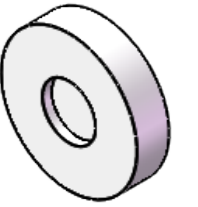


**FOR INFORMATION ONLY  
NOT FOR MANUFACTURING PURPOSES**



1. UNMOUNTED DIAMETER: 10 mm
2. DESIGN WAVELENGTH: 1064 nm
3. RETARDATION:  $\lambda/4$
4. RETARDATION TOLERANCE:  $<\lambda/300$
5. WAVEFRONT DISTORTION:  $<\lambda/8@633\text{nm}$
6. SURFACE QUALITY: 20/10
7. CLEAR APERTURE:  $>8\text{mm}$
8. PARALLELISM:  $<1$  arcsec
9. COATING:  $R<0.25\%@1064\text{nm}$

|                                   |  |
|-----------------------------------|--|
| <b>SIMTRUM</b><br>www.simtrum.com |  |
| Title:                            | Optically Contacted Zero Order Waveplate |
| Material:                         | Quartz                                   |
| Part No:                          | Q-QZWP-R4-10-1064-M                      |