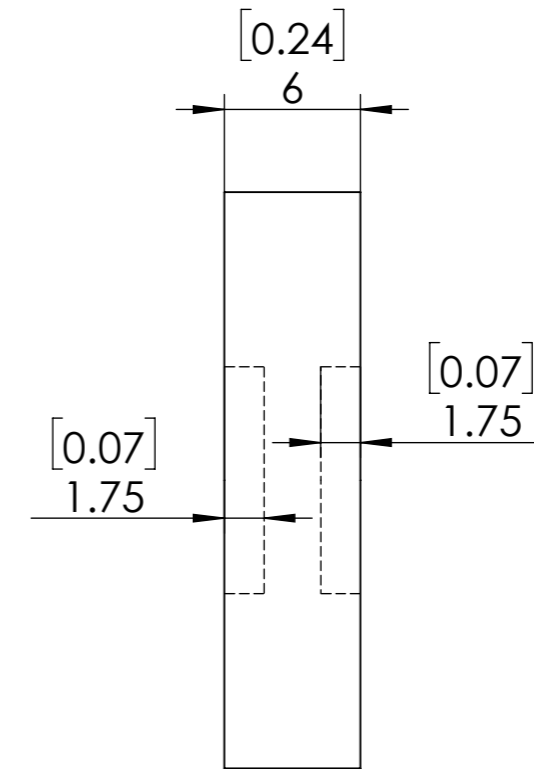
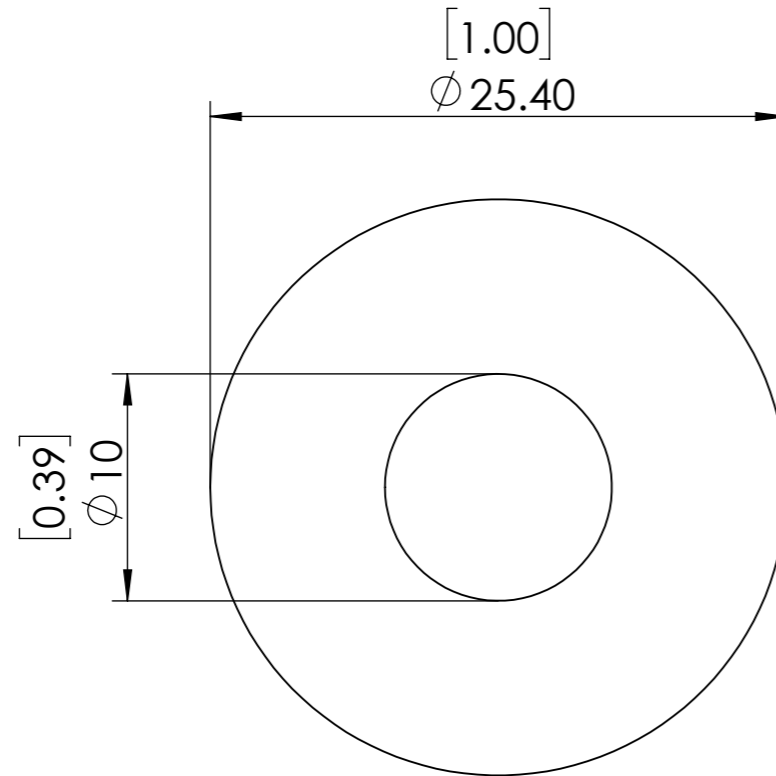
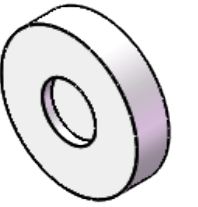


**FOR INFORMATION ONLY
NOT FOR MANUFACTURING PURPOSES**



1. UNMOUNTED DIAMETER: 10 mm
2. DESIGN WAVELENGTH: 355 nm
3. RETARDATION: $\lambda/4$
4. RETARDATION TOLERANCE: $<\lambda/300$
5. WAVEFRONT DISTORTION: $<\lambda/8@633\text{nm}$
6. SURFACE QUALITY: 20/10
7. CLEAR APERTURE: $>8\text{mm}$
8. PARALLELISM: <1 arcsec
9. COATING: $R<0.25\%@355\text{nm}$

| | |
|-----------------------------------|--|
| SIMTRUM www.simtrum.com | |
| Title: | Optically Contacted Zero Order Waveplate |
| Material: | Quartz |
| Part No: | Q-QZWP-R4-10-355-M |