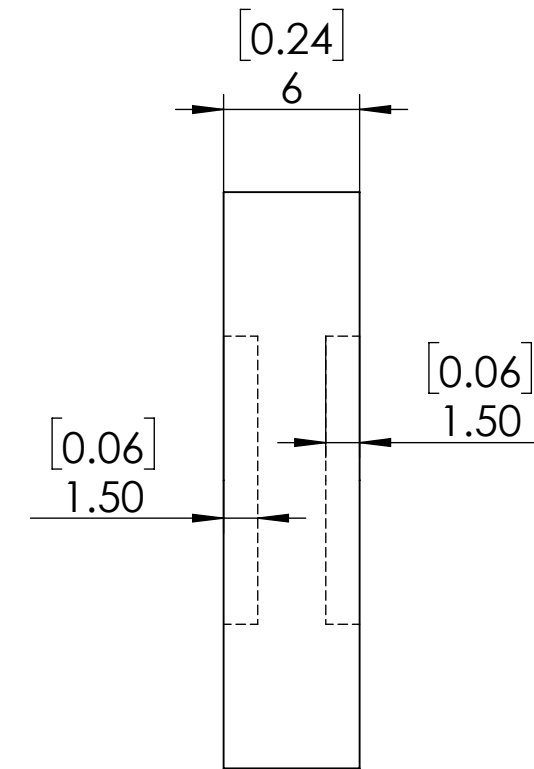
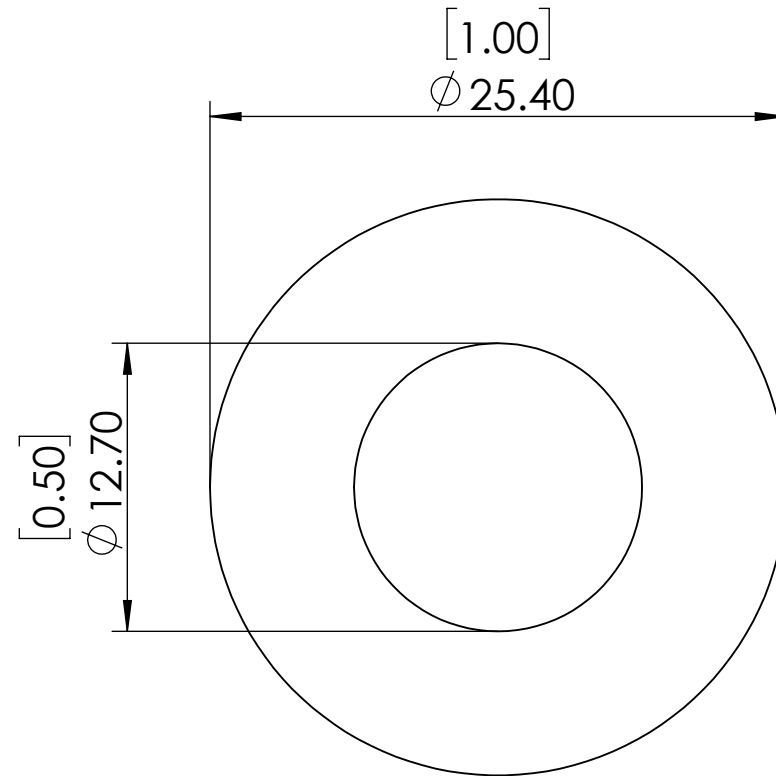
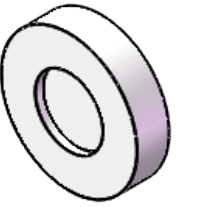


**FOR INFORMATION ONLY  
NOT FOR MANUFACTURING PURPOSES**



1. UNMOUNTED DIAMETER: 12.7 mm
2. DESIGN WAVELENGTH: 4000 nm
3. RETARDATION:  $\lambda/4$
4. RETARDATION TOLERANCE:  $<\lambda/100$
5. WAVEFRONT DISTORTION:  $<\lambda/4@633\text{nm}$
6. SURFACE QUALITY: 40/20
7. CLEAR APERTURE:  $>11.5\text{mm}$
8. PARALLELISM:  $<5$  arcsec
9. COATING:  $R<0.5\%$  @4000nm

<b>SIMTRUM</b> www.simtrum.com	
Title:	Optically Contacted Middle Infrared Zero Order Quarter Waveplate
Material:	MgF2
Part No:	MgF2-MIRQWP-12.7-4000-M