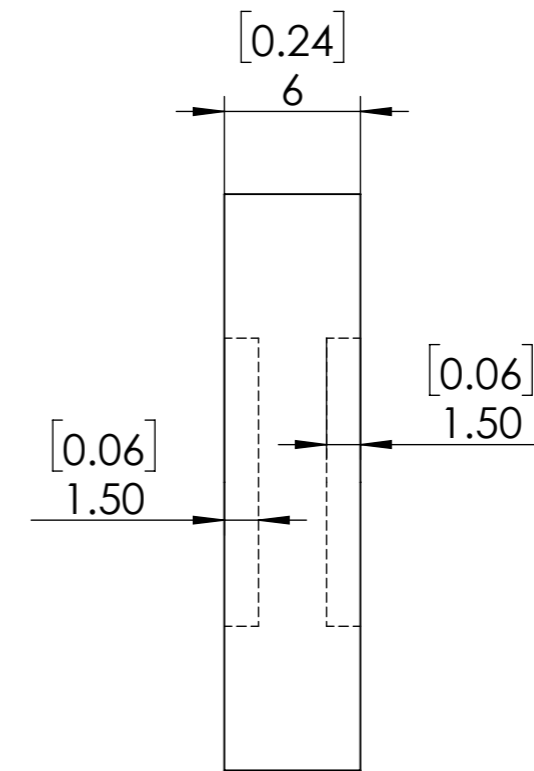
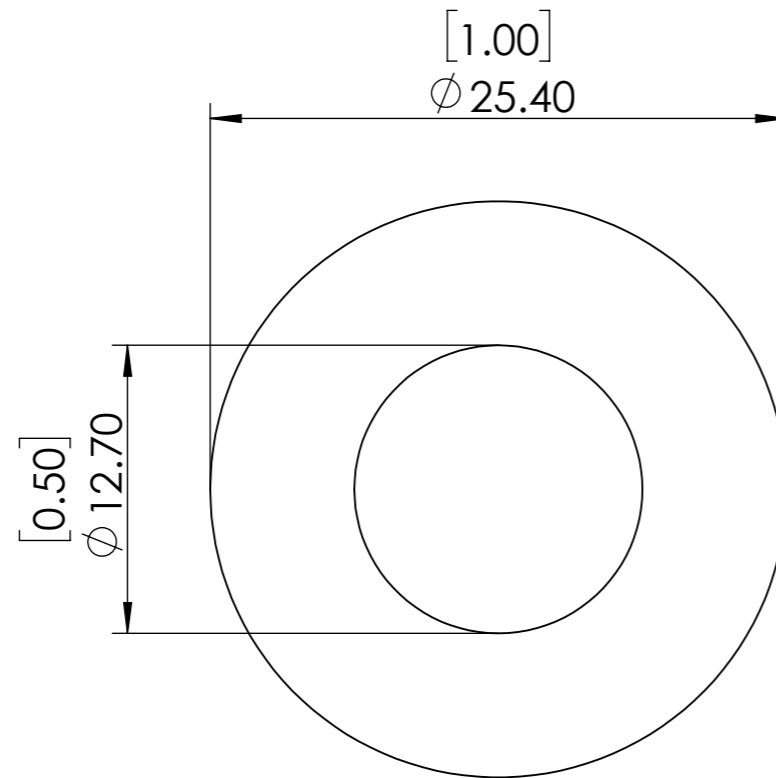
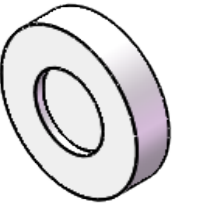


**FOR INFORMATION ONLY
NOT FOR MANUFACTURING PURPOSES**



1. UNMOUNTED DIAMETER: 12.7
2. DESIGN WAVELENGTH: 532 nm
3. RETARDATION: $\lambda/2$
4. RETARDATION TOLERANCE: $<\lambda/300$
5. WAVEFRONT DISTORTION: $<\lambda/8@633\text{nm}$
6. SURFACE QUALITY: 20/10
7. CLEAR APERTURE: 11.5mm
8. PARALLELISM: <1 arcsec
9. COATING: $R<0.25\%@532\text{nm}$

| | |
|-----------------------------------|--------------------------------------|
| SIMTRUM www.simtrum.com | |
| Title: | Air Spaced Zero Order Half Waveplate |
| Material: | Quartz |
| Part No: | Q-AZHWP-12.7-532-M |