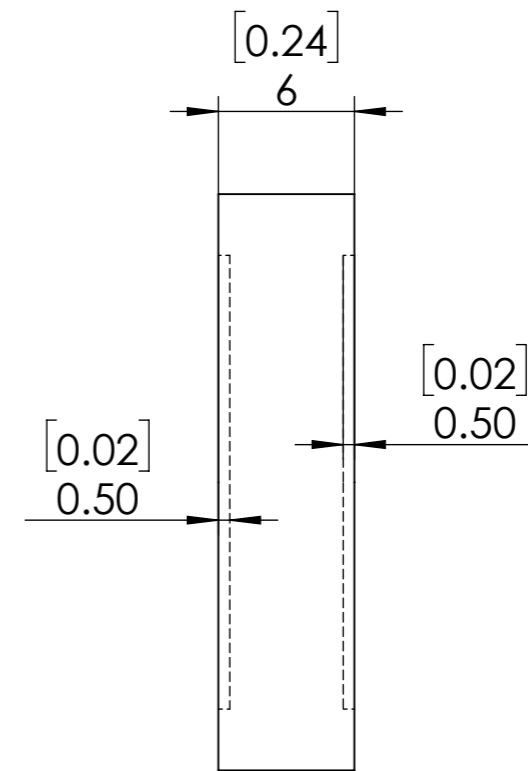
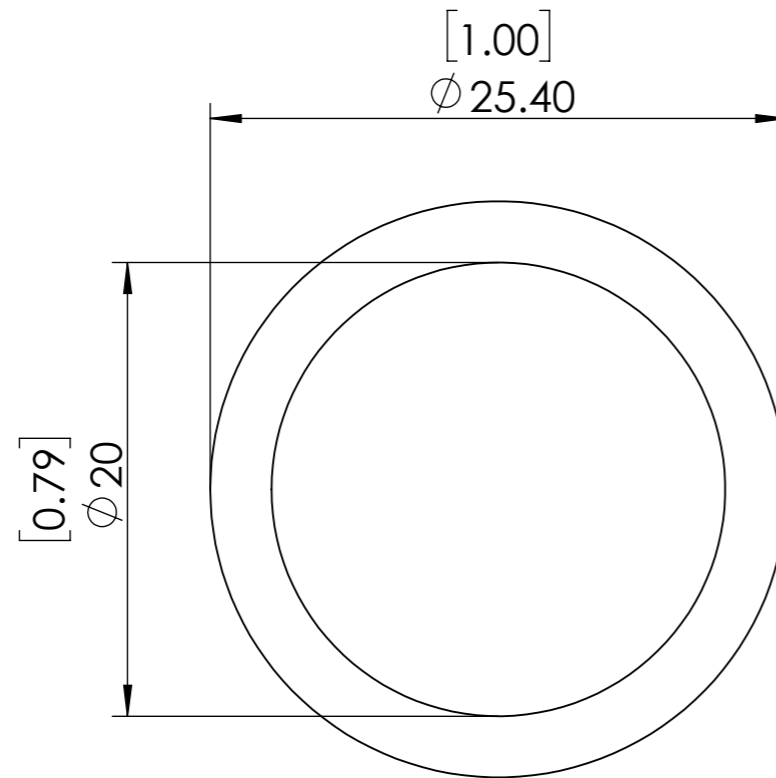


**FOR INFORMATION ONLY  
NOT FOR MANUFACTURING PURPOSES**



1. UNMOUNTED DIAMETER: 20
2. DESIGN WAVELENGTH: 632.8 nm
3. RETARDATION:  $\lambda/2$
4. RETARDATION TOLERANCE:  $\lambda/500$
5. WAVEFRONT DISTORTION:  $<\lambda/8@633\text{nm}$
6. SURFACE QUALITY: 60/40
7. CLEAR APERTURE: 15mm
8. PARALLELISM:  $<3$  arcsec
9. COATING:  $R<0.25\%@633\text{nm}$

<b>SIMTRUM</b> www.simtrum.com	
Title:	Air Spaced Zero Order Half Waveplate
Material:	Quartz
Part No:	Q-AZHWP-20-632.8-M