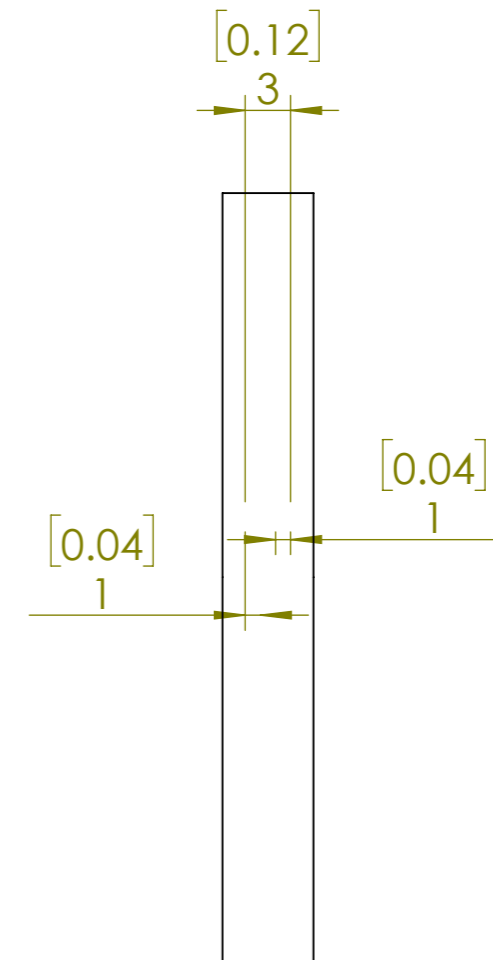
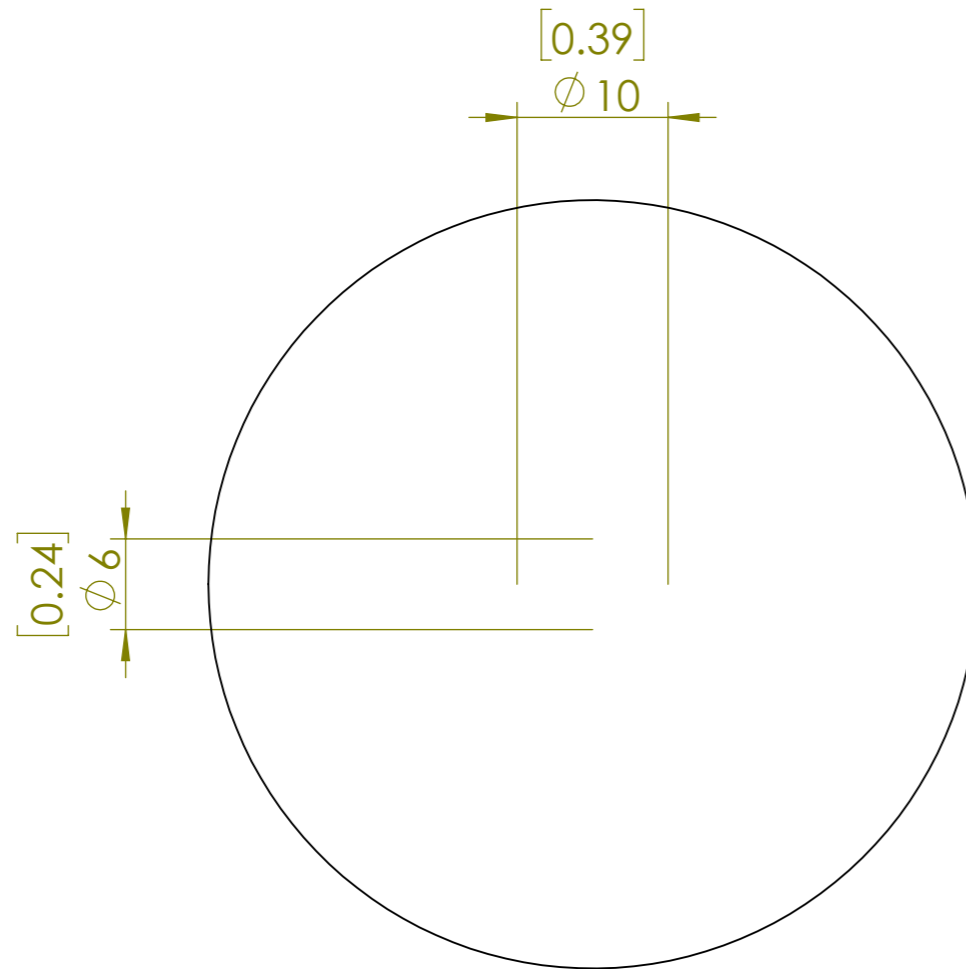
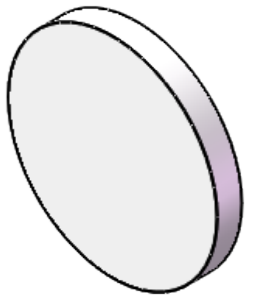


**FOR INFORMATION ONLY  
NOT FOR MANUFACTURING PURPOSES**



1. UNMOUNTED DIAMETER: 50.8 mm
2. DESIGN WAVELENGTH: 1550 nm
3. RETARDATION:  $\lambda/4$
4. RETARDATION TOLERANCE:  $<\lambda/300$
5. WAVEFRONT DISTORTION:  $<\lambda/8@633\text{nm}$
6. SURFACE QUALITY: 20/10
7. CLEAR APERTURE:  $>45\text{mm}$
8. PARALLELISM:  $<1$  arcsec
9. COATING:  $R<0.25\%@1550\text{nm}$

<b>SIMTRUM</b> www.simtrum.com	
Title:	Cemented True Zero Order Quarter Waveplate
Material:	Quartz/BK7
Part No:	QB-CTZQWP-50.8-1550-M