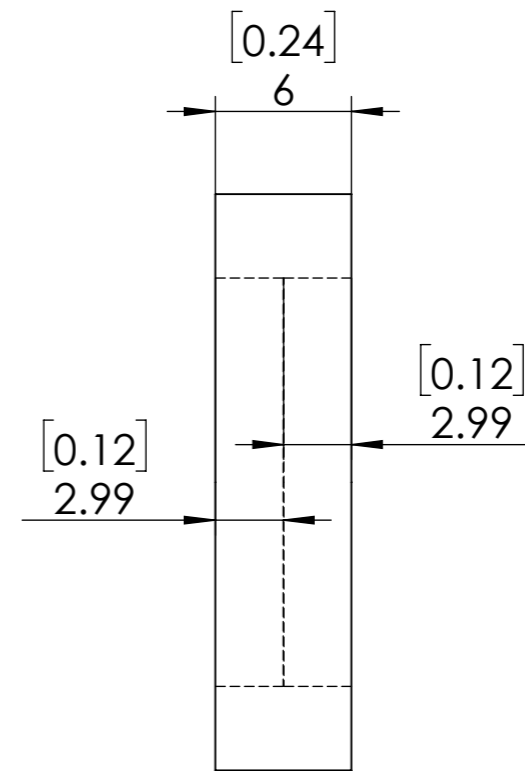
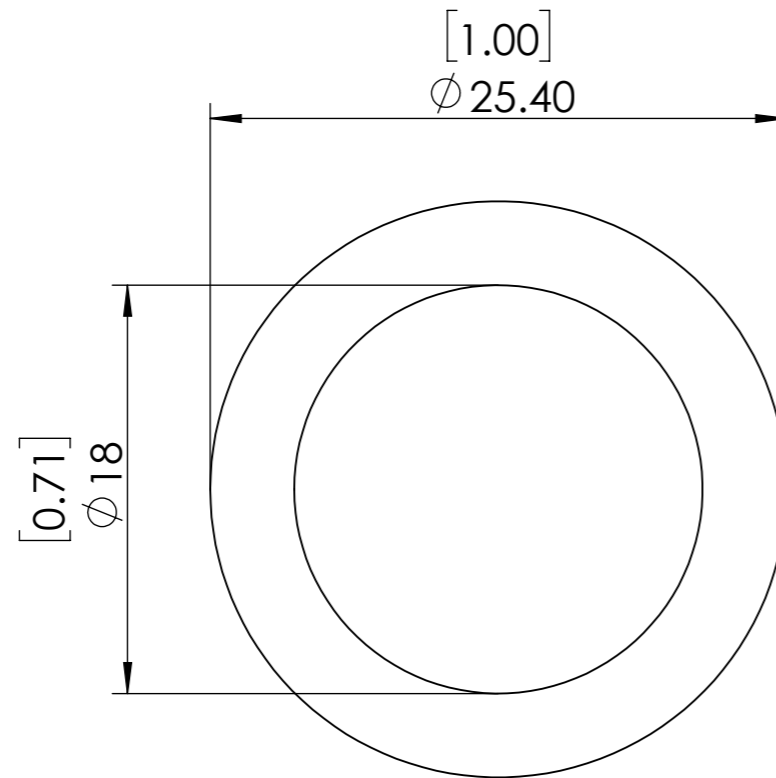
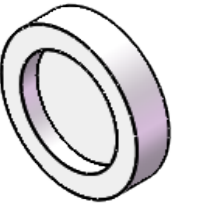


**FOR INFORMATION ONLY  
NOT FOR MANUFACTURING PURPOSES**



1. UNMOUNTED DIAMETER: 18
2. DESIGN WAVELENGTH: 532 nm
3. RETARDATION:  $\lambda/2$
4. RETARDATION TOLERANCE:  $<\lambda/300$
5. WAVEFRONT DISTORTION:  $<\lambda/8@633\text{nm}$
6. SURFACE QUALITY: 20/10
7. CLEAR APERTURE: 18mm
8. PARALLELISM:  $<1$  arcsec
9. COATING:  $R<0.25\%@532\text{nm}$

<b>SIMTRUM</b> www.simtrum.com	
Title:	Single Plate High Power Half Waveplate
Material:	Quartz
Part No:	Q-SHPHWP-18-532-M