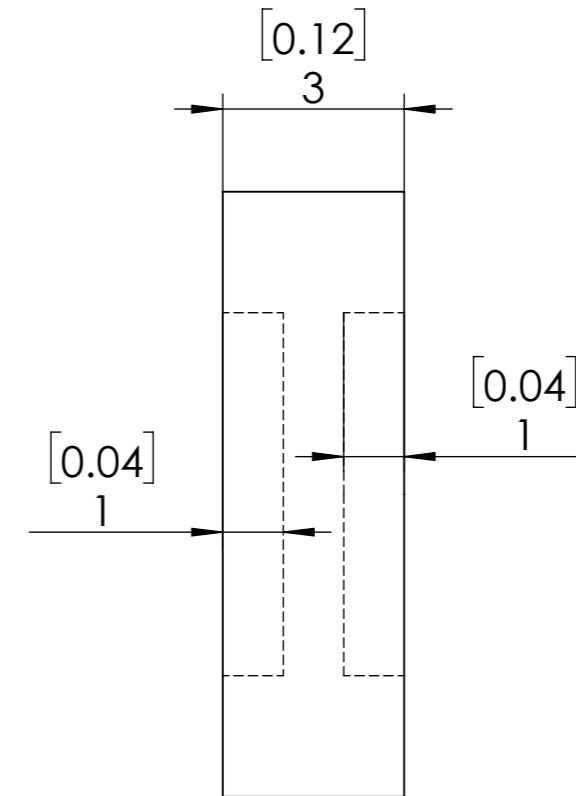
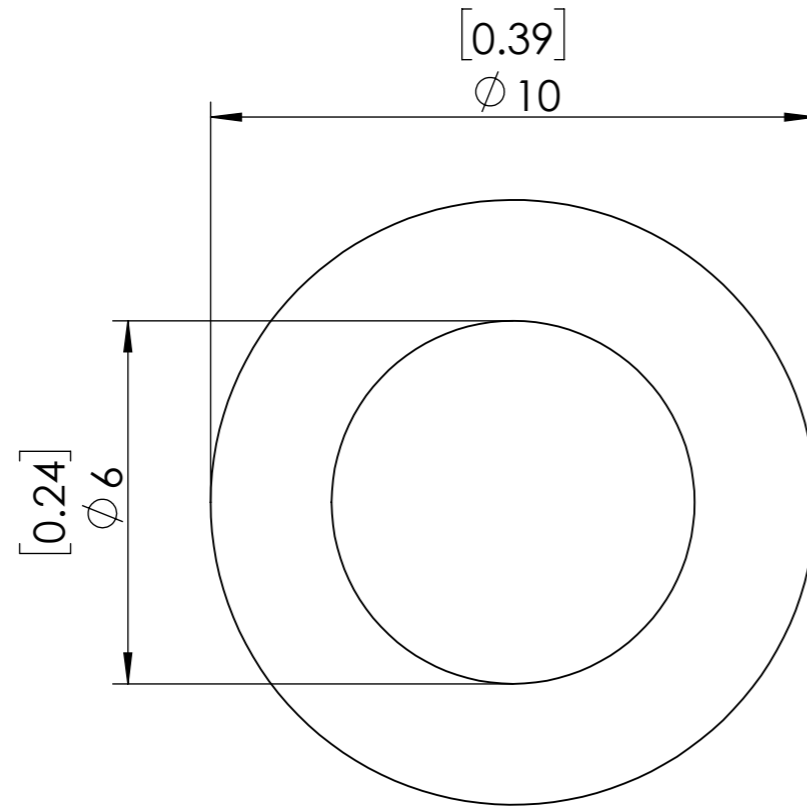
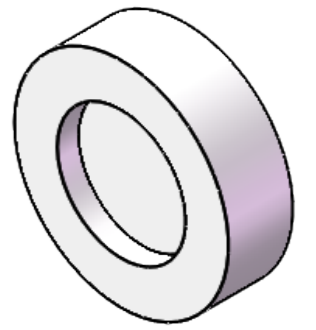


**FOR INFORMATION ONLY
NOT FOR MANUFACTURING PURPOSES**



1. UNMOUNTED DIAMETER: 25.4
2. DESIGN WAVELENGTH: 532+1064 nm
3. RETARDATION: $\lambda@1064\text{nm} + \lambda/2@532\text{nm}$
4. RETARDATION TOLERANCE: $<\lambda/100$
5. WAVEFRONT DISTORTION: $<\lambda/8@633\text{nm}$
6. SURFACE QUALITY: 20/10
7. CLEAR APERTURE: $>22.9\text{mm}$
8. PARALLELISM: <1 arcsec
9. COATING: $R<0.5\%@532+1064\text{nm}$

| | |
|-----------------------------------|---------------------------|
| SIMTRUM www.simtrum.com | |
| Title: | Dual Wavelength Waveplate |
| Material: | Quartz |
| Part No: | Q-DWWP-R12-25.4-1064-SH-M |