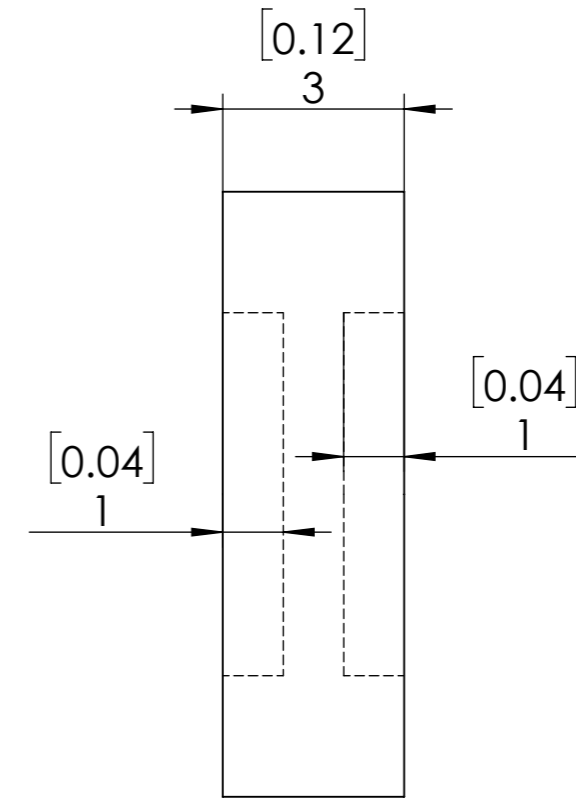
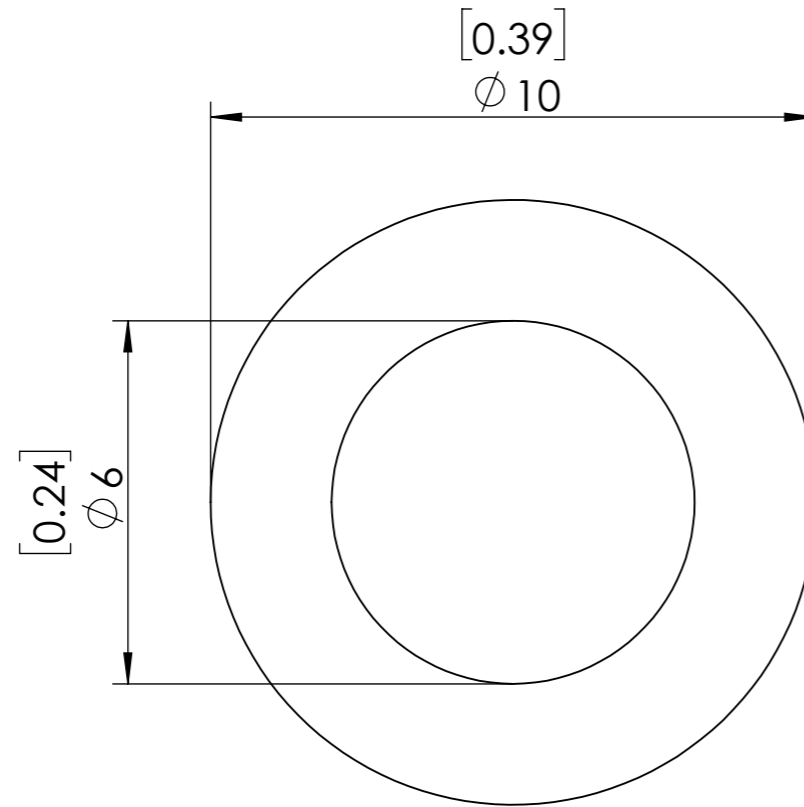
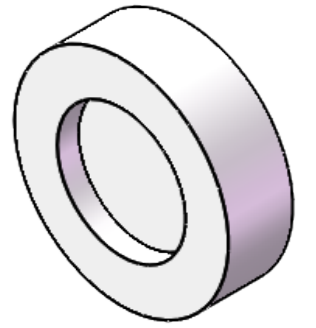


**FOR INFORMATION ONLY  
NOT FOR MANUFACTURING PURPOSES**



1. UNMOUNTED DIAMETER: 25.4
2. DESIGN WAVELENGTH: 532+1064 nm
3. RETARDATION:  $\lambda/4@1064\text{nm}+\lambda@532\text{nm}$
4. RETARDATION TOLERANCE:  $<\lambda/100$
5. WAVEFRONT DISTORTION:  $<\lambda/8@633\text{nm}$
6. SURFACE QUALITY: 20/10
7. CLEAR APERTURE:  $>22.9\text{mm}$
8. PARALLELISM:  $<1$  arcsec
9. COATING:  $R<0.5\%@532+1064\text{nm}$

|                                   |                           |
|-----------------------------------|---------------------------|
| <b>SIMTRUM</b><br>www.simtrum.com |                           |
| Title:                            | Dual Wavelength Waveplate |
| Material:                         | Quartz                    |
| Part No:                          | Q-DWWP-R41-25.4-1064-SH-M |